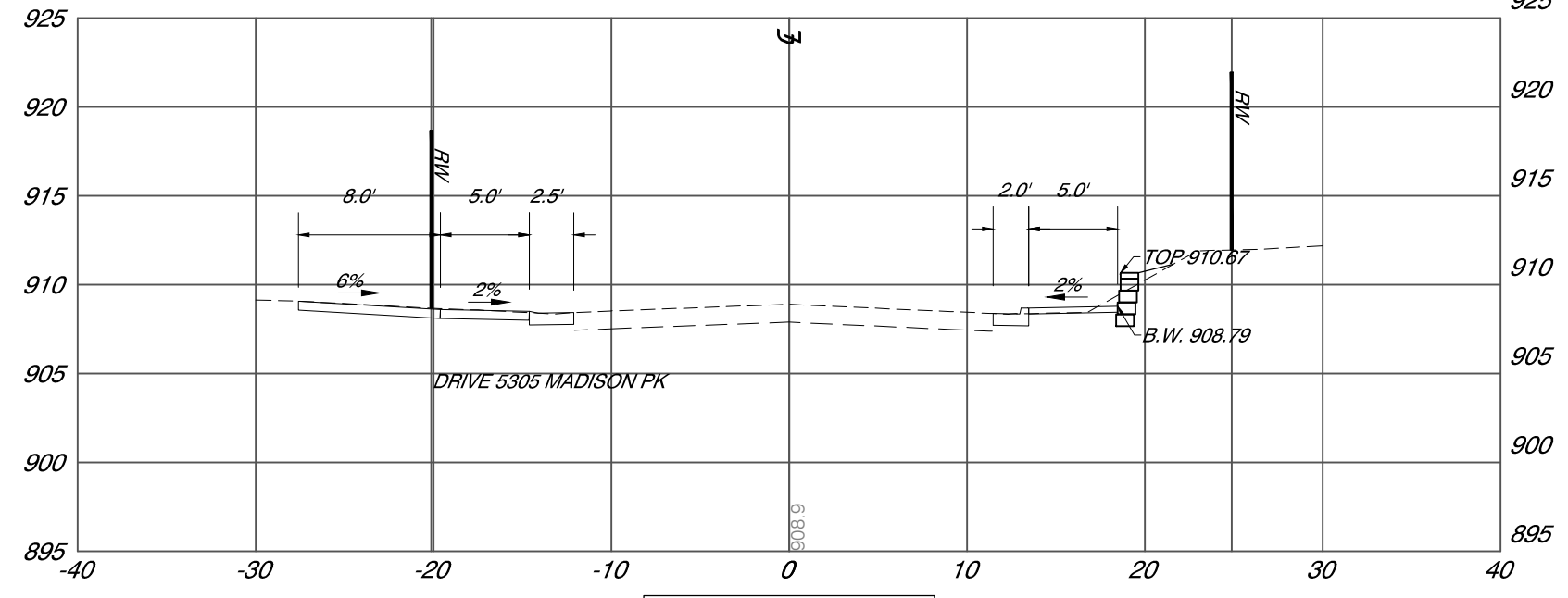
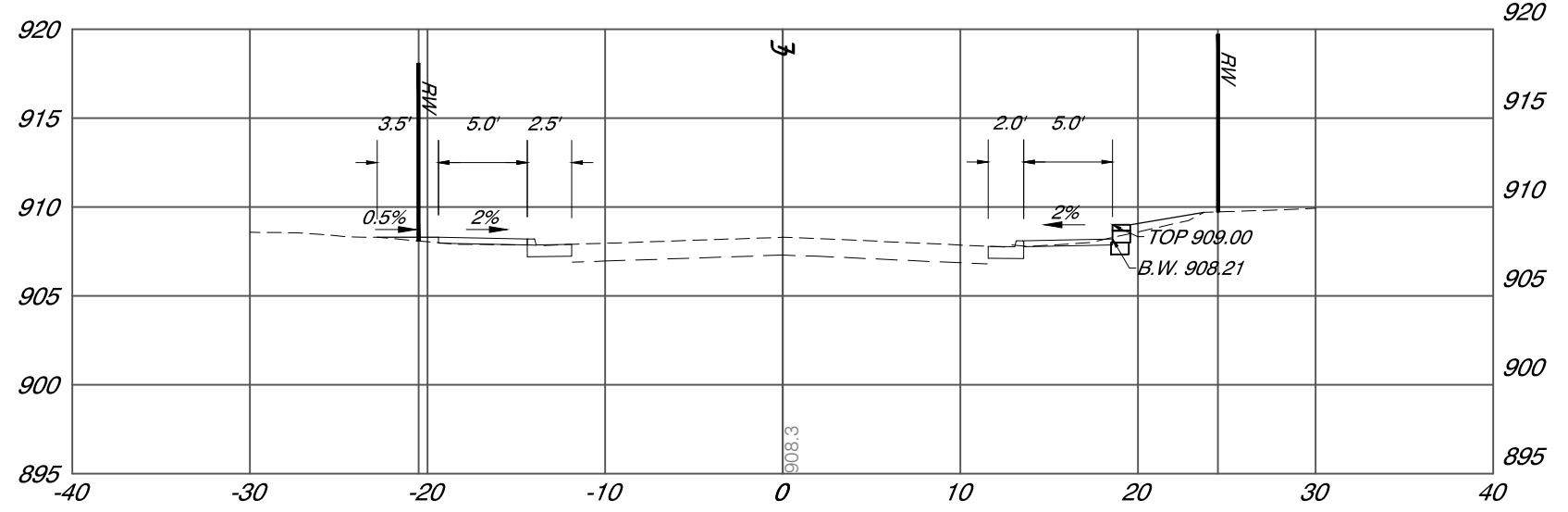


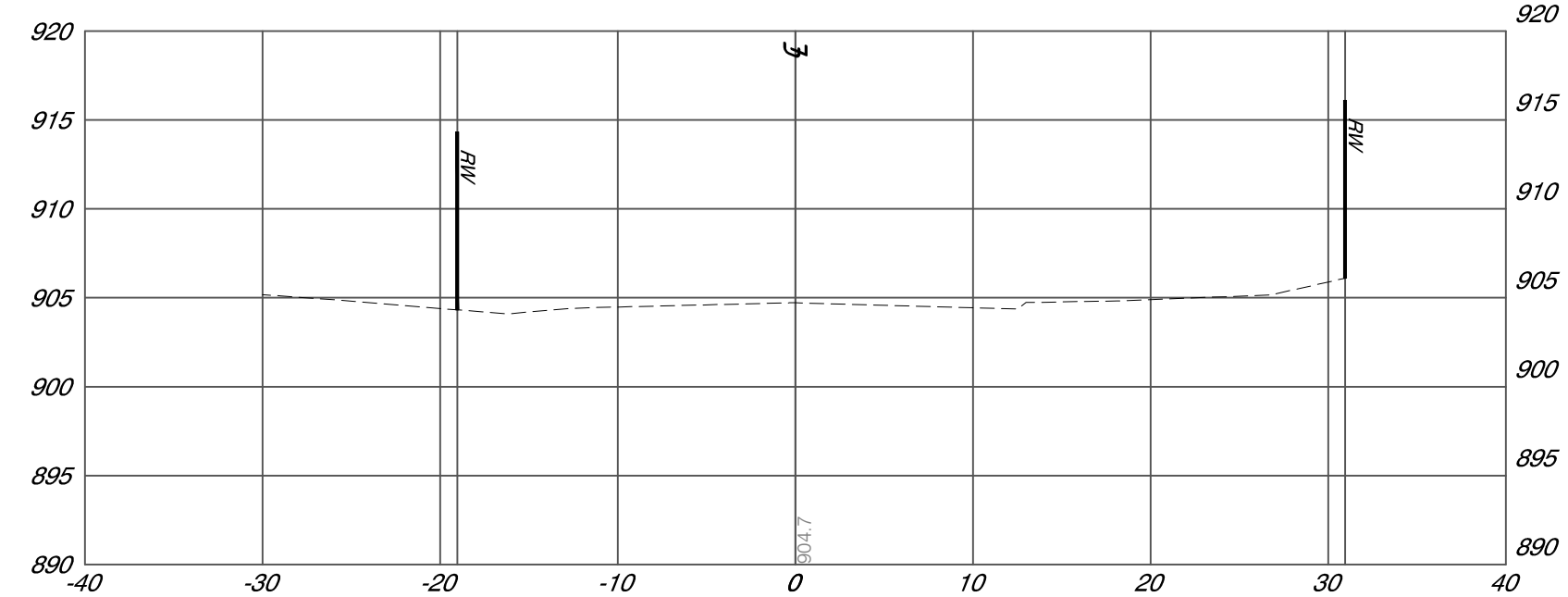
STA. 2+00



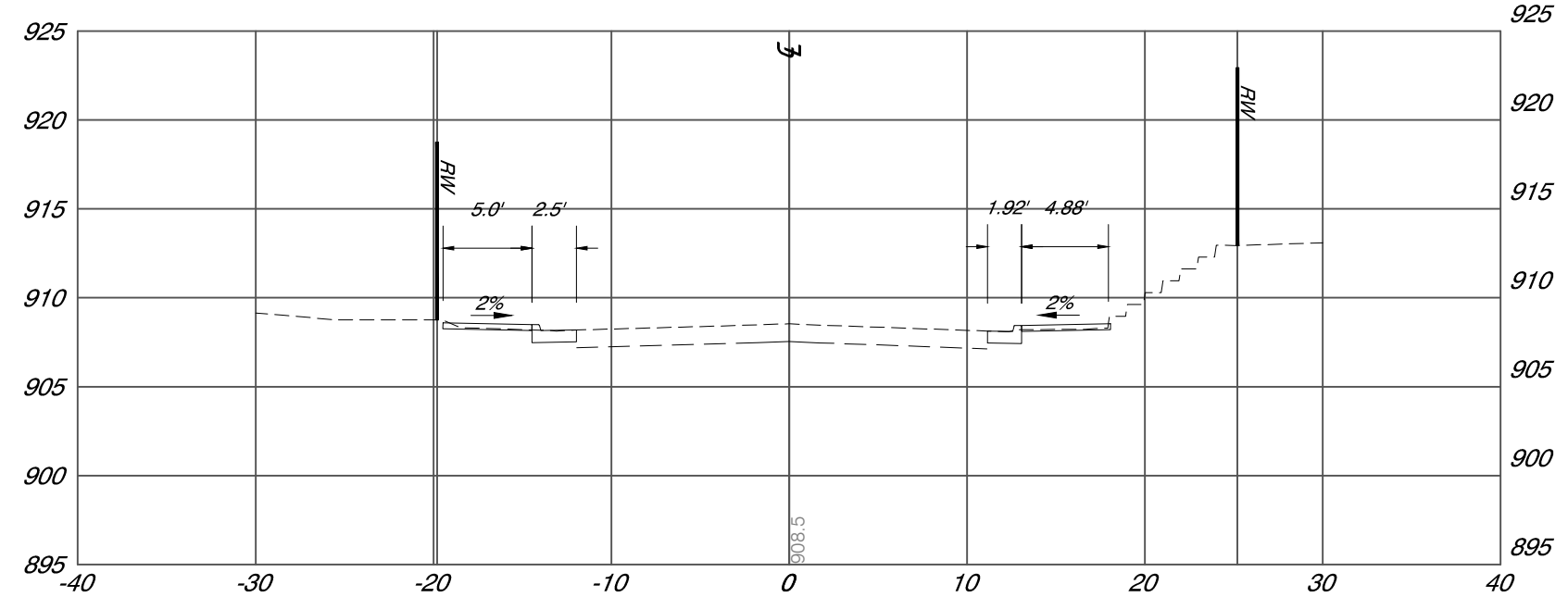
STA. 3+25



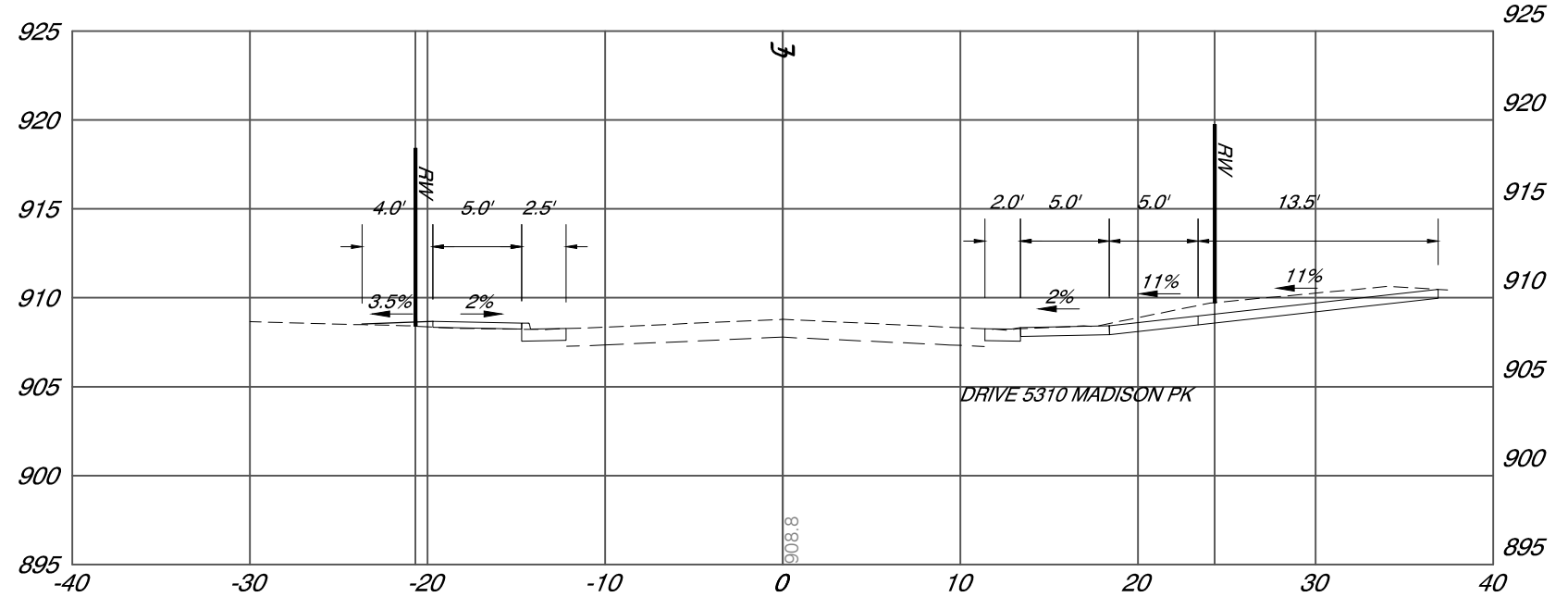
STA. 4+00



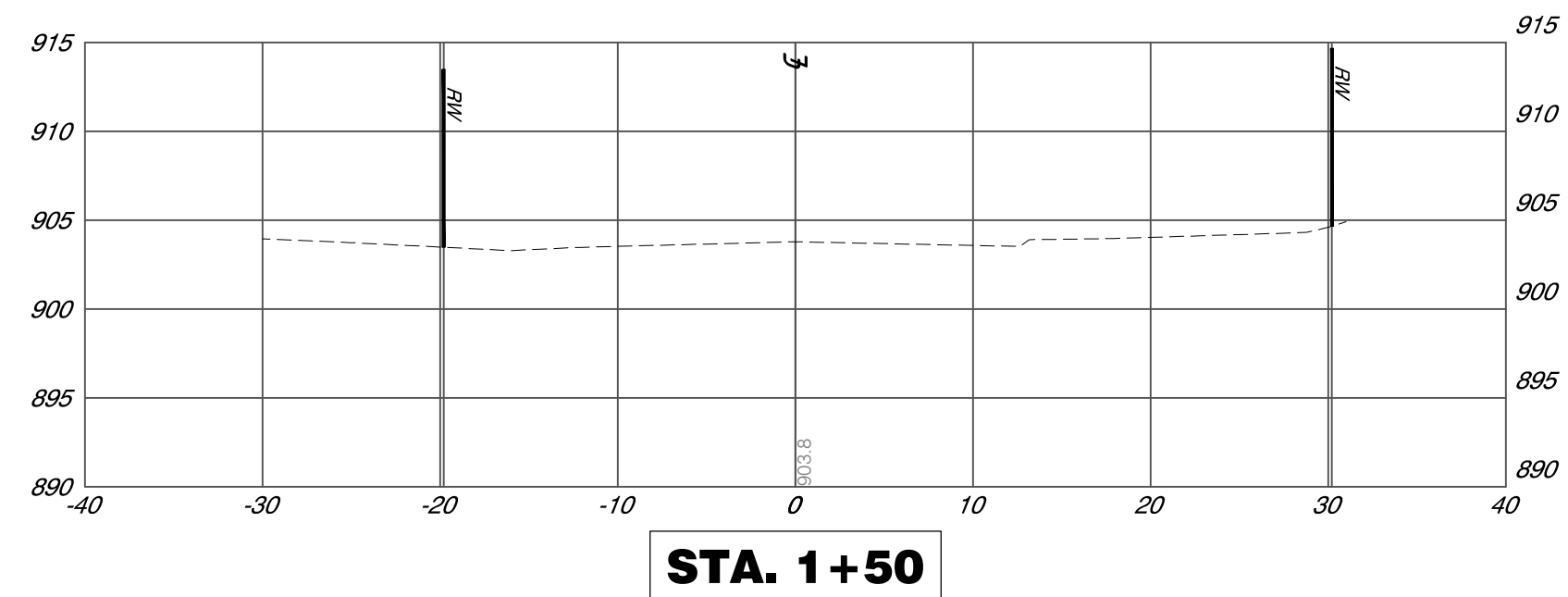
STA. 1+75



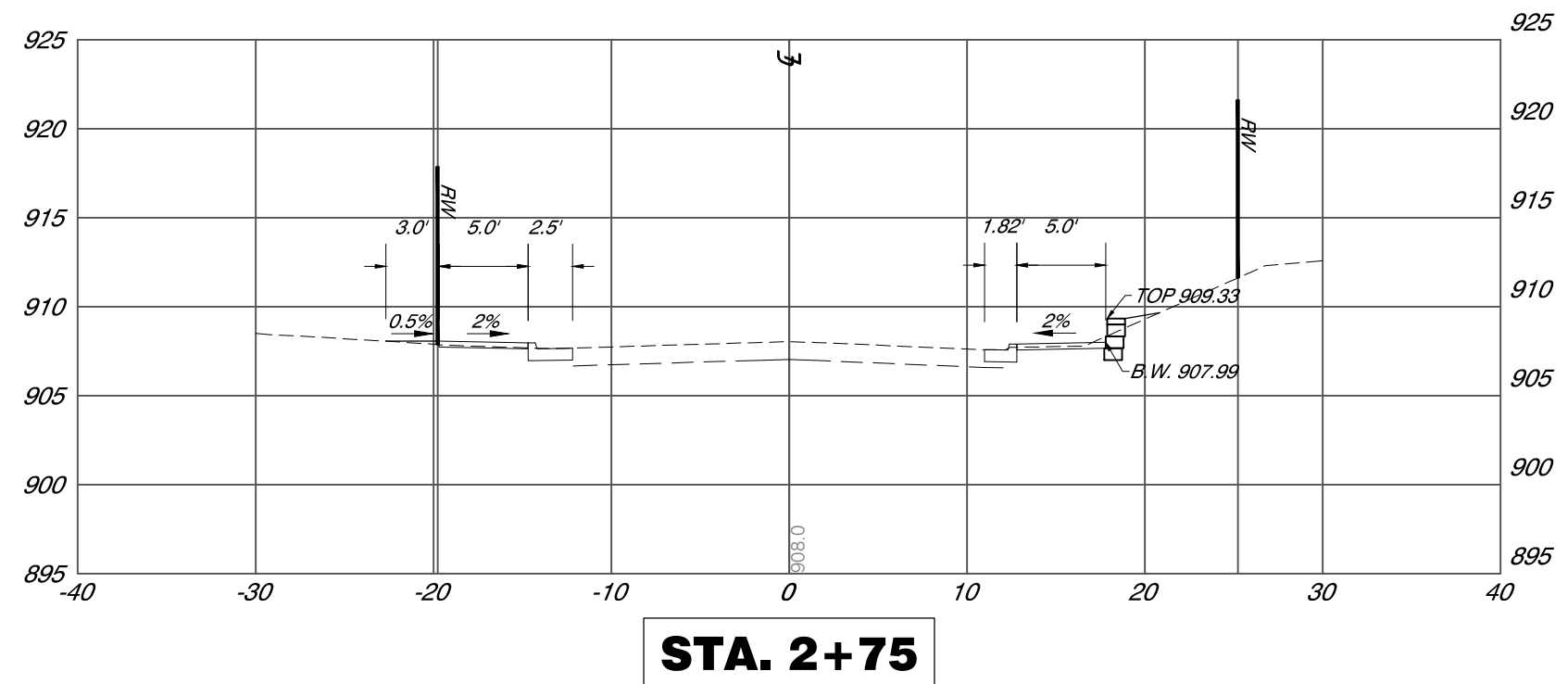
STA. 3+00



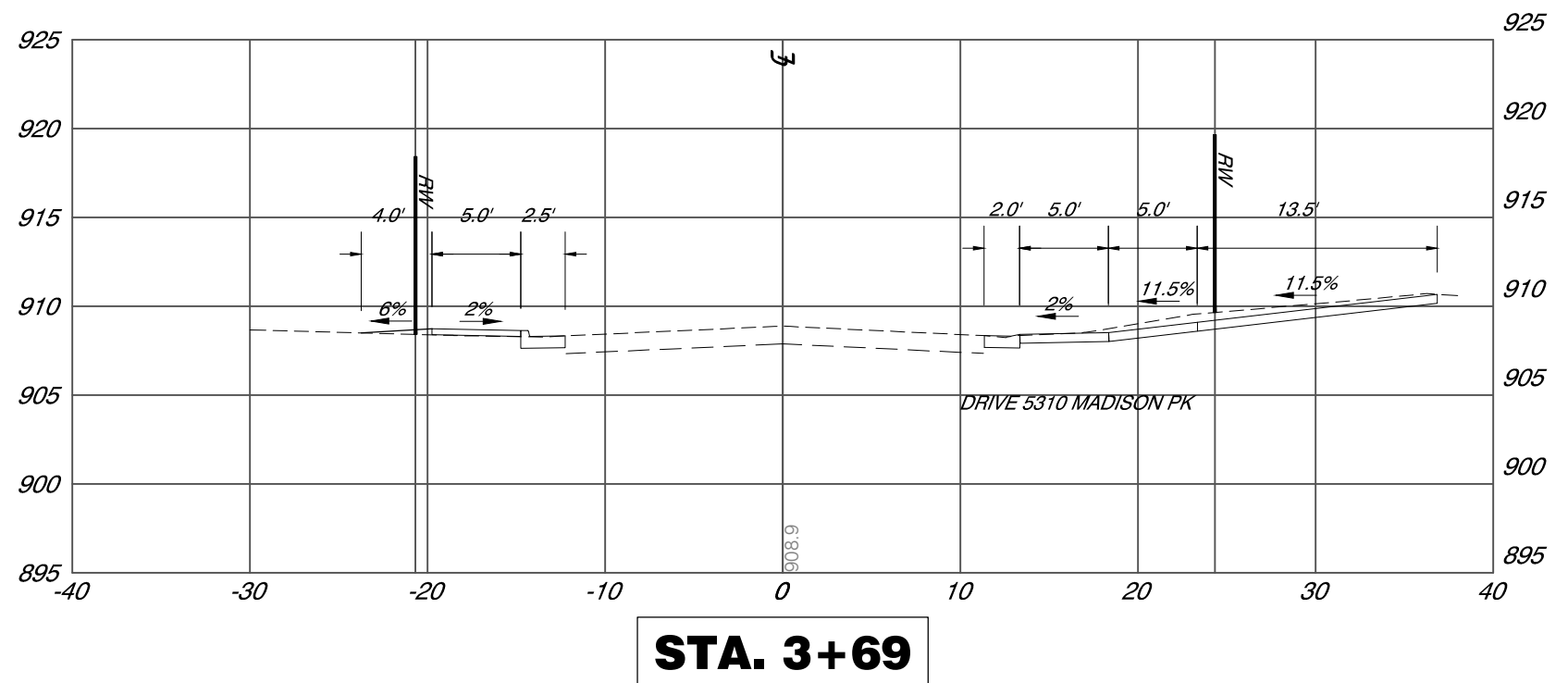
STA. 3+75



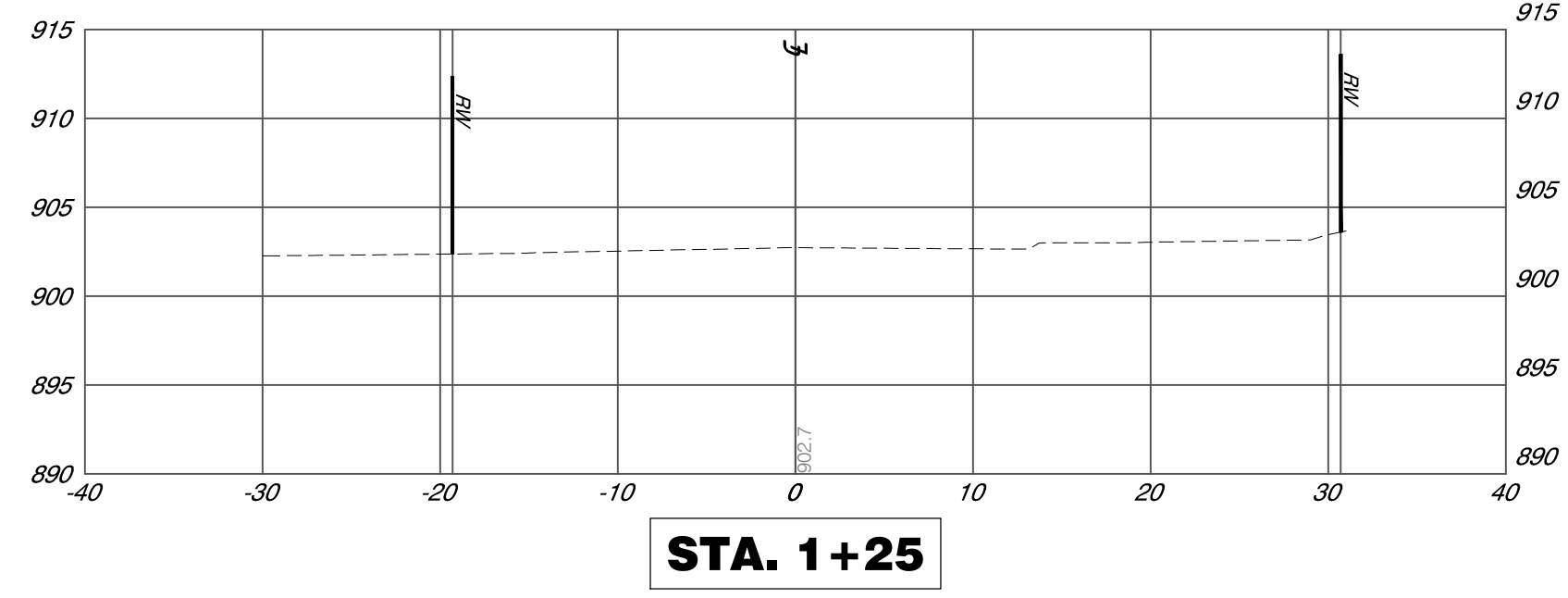
STA. 1+50



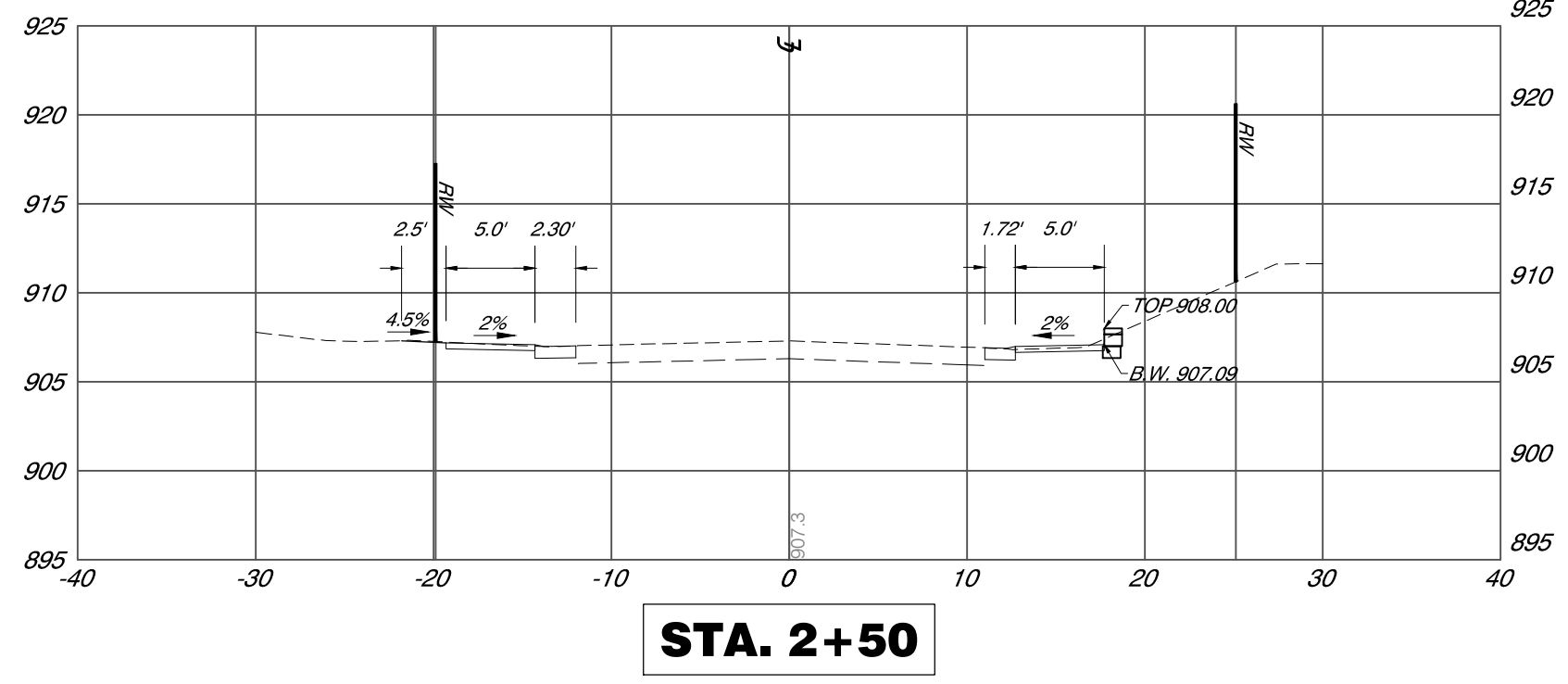
STA. 2+75



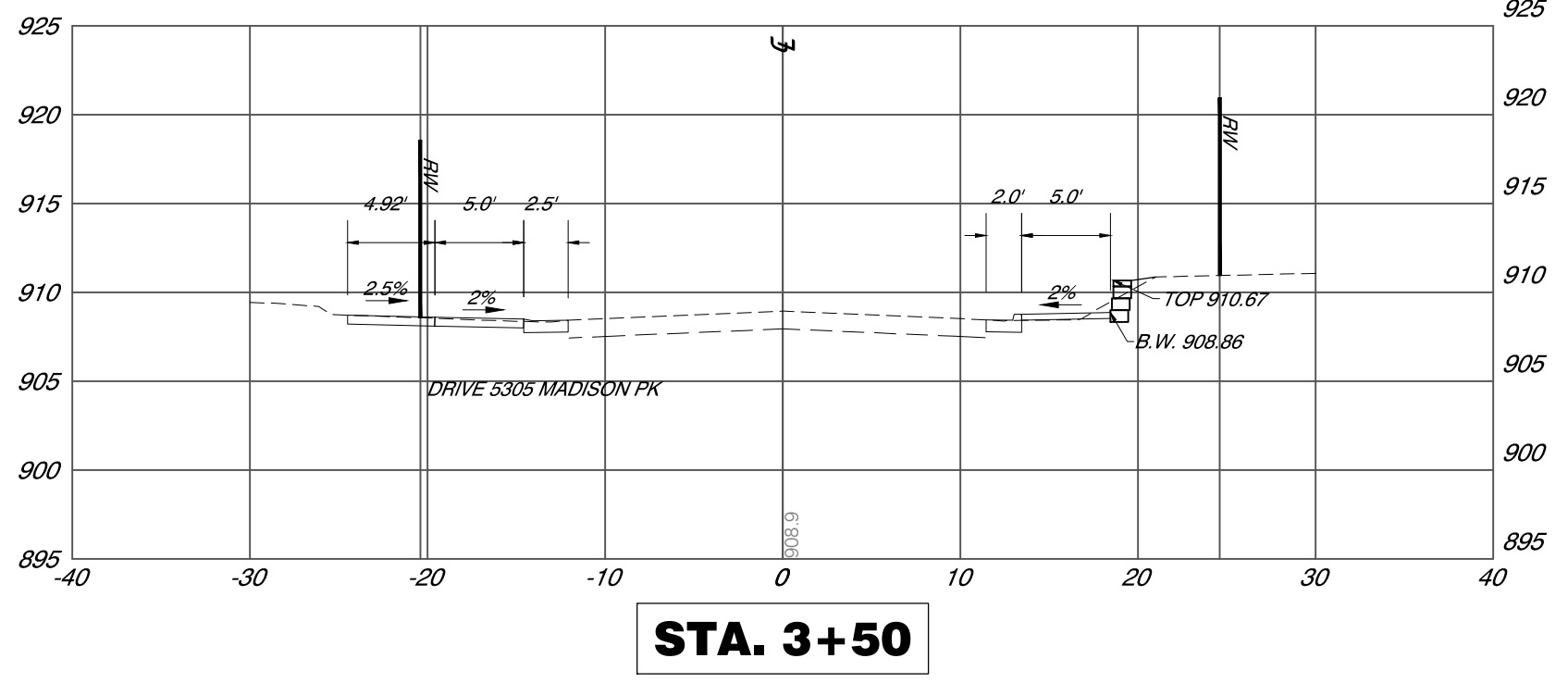
STA. 3+69



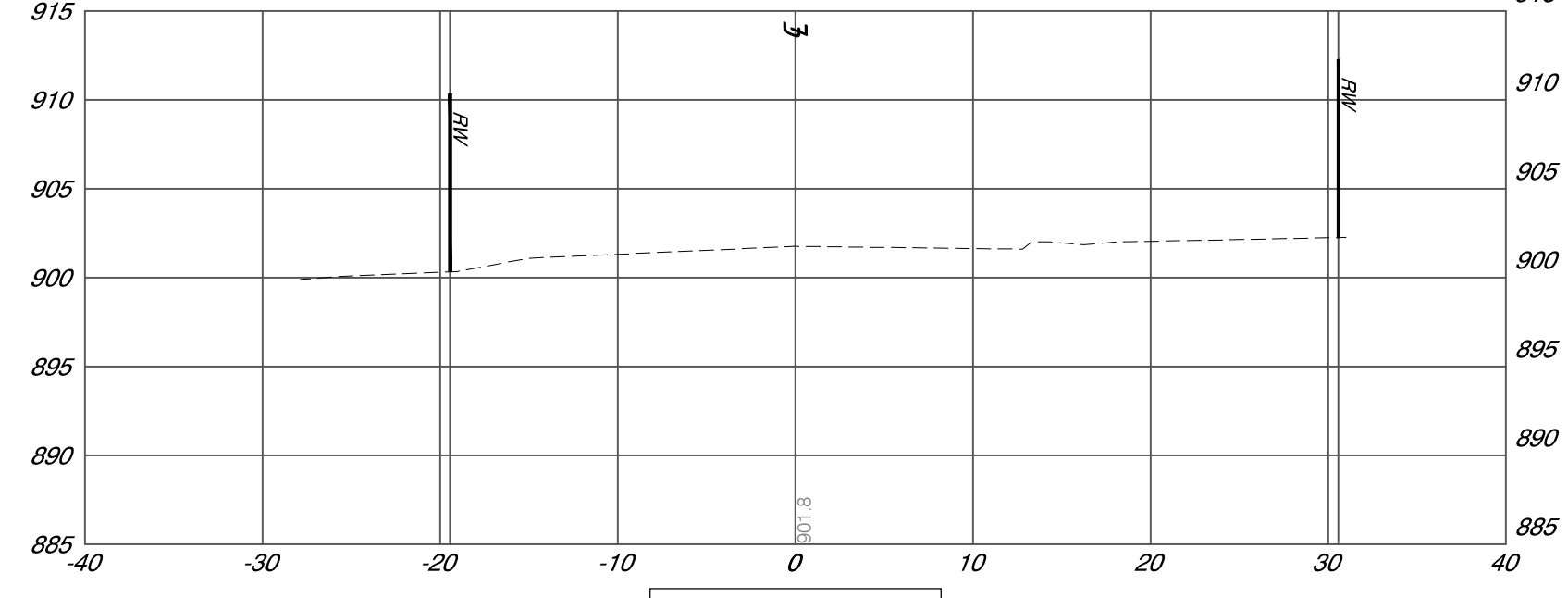
STA. 1+25



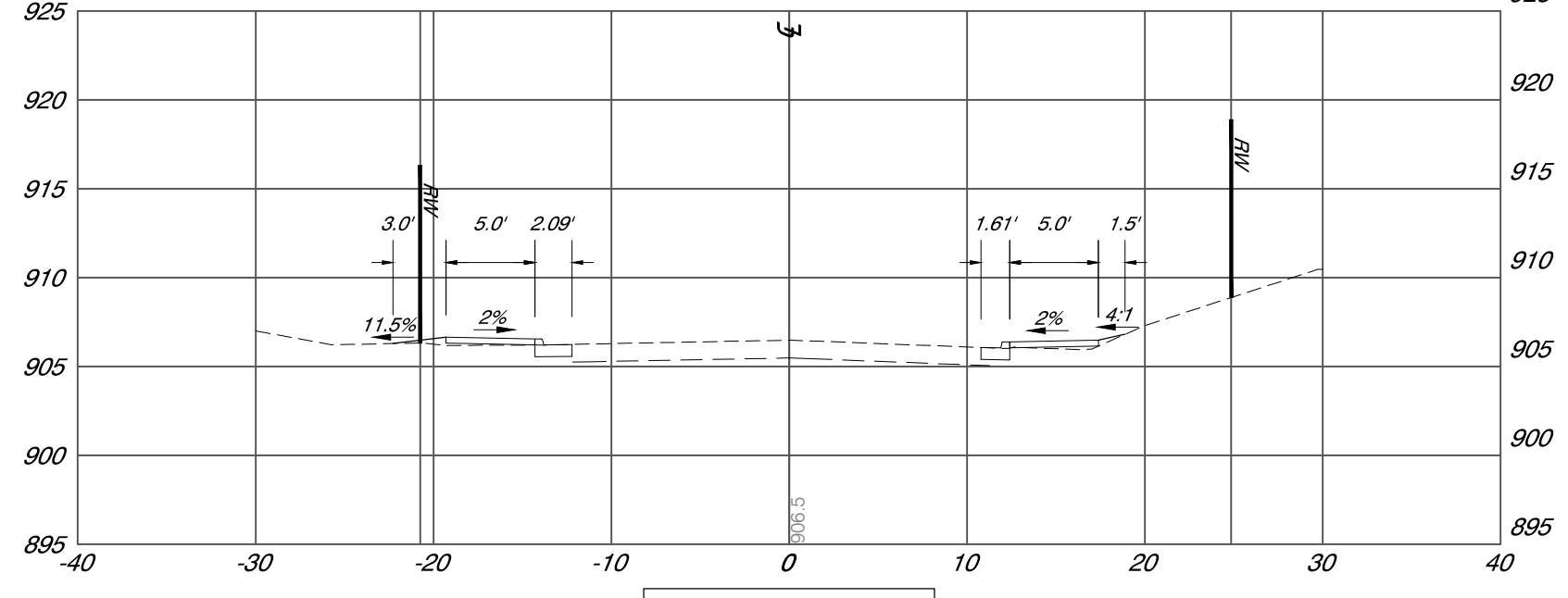
STA. 2+50



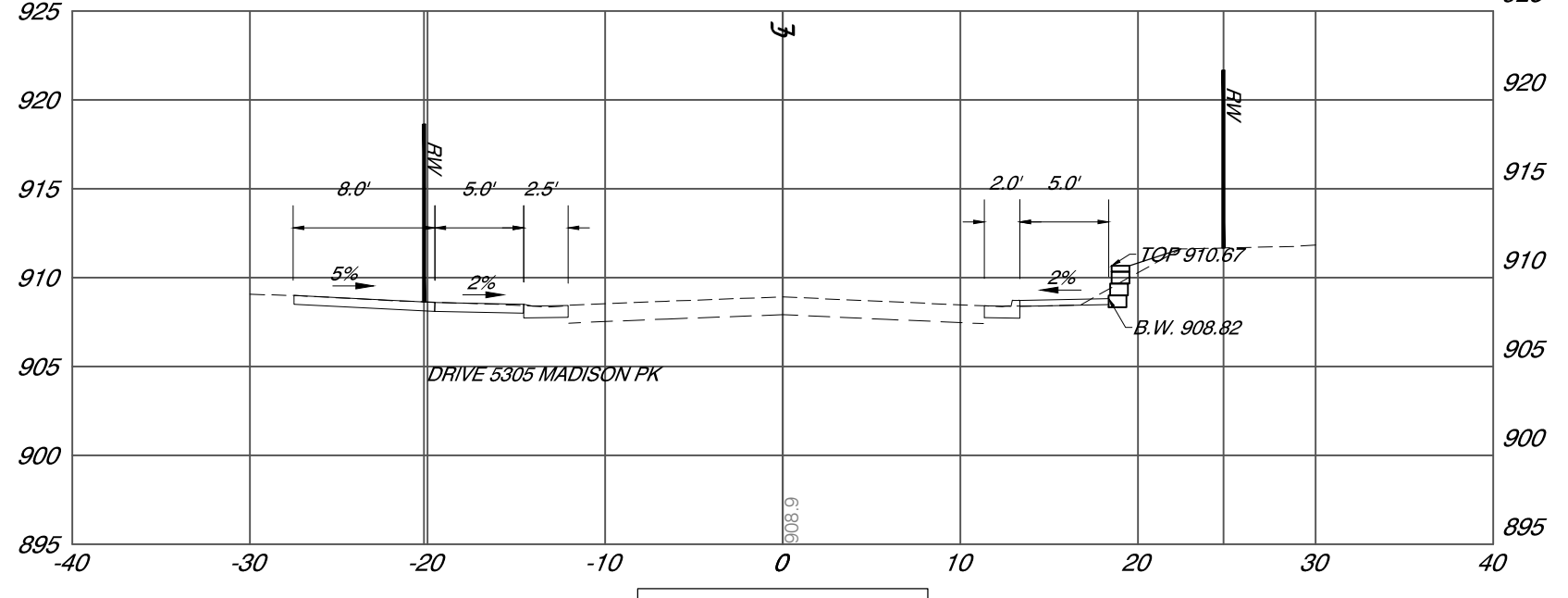
STA. 3+50



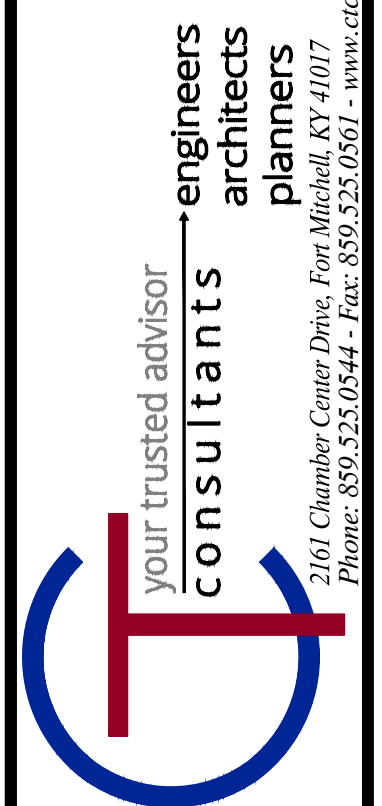
STA. 1+00



STA. 2+25



STA. 3+32



© 2019 CT CONSULTANTS

SCALE

SECTIONS SHEET 1

**MADISON PIKE SIDEWALK
PHASE 5
CITY OF INDEPENDENCE, KY**

REVISIONS	
NO.	DESCRIPTION

SCALE	DATE
1"=10'	02/07/19
DRAWN BY	PROJECT MGR
RSEI	MHEL
PROJECT NO.	FLAT FILE
150595	KY-A9

DRAWING NO.
XS-1

02/07/19 09:28am T:\18 SECTIONS 1...
C:\Users\mhel\OneDrive\Documents\150595\150595.dwg