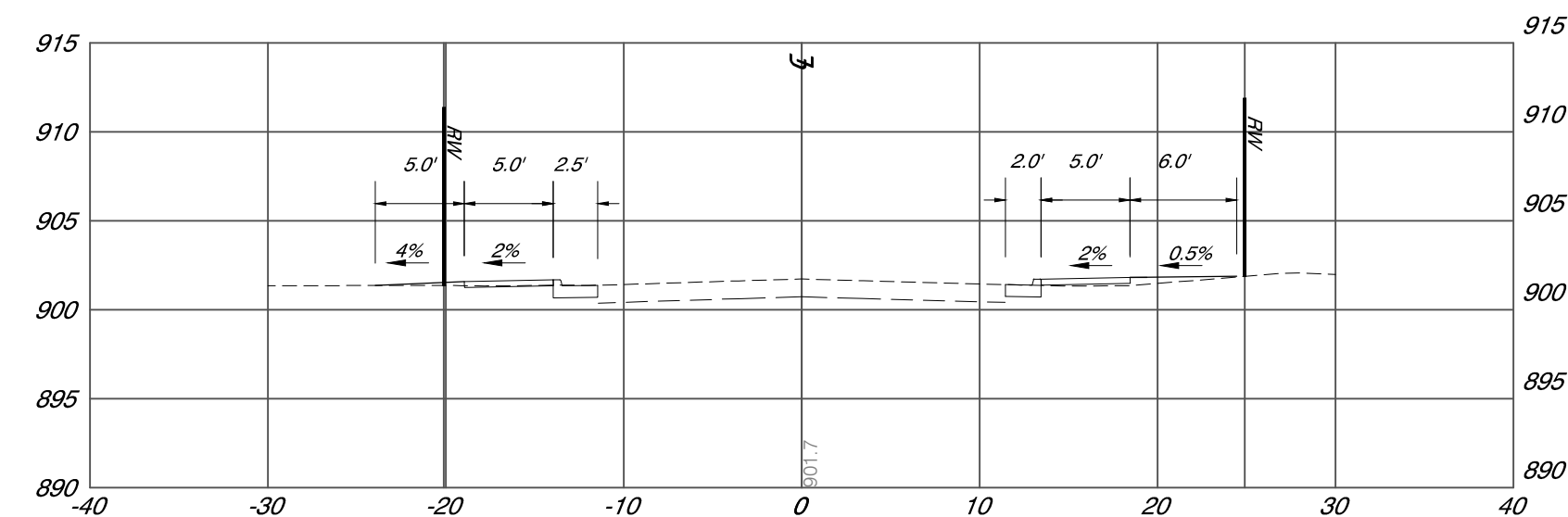
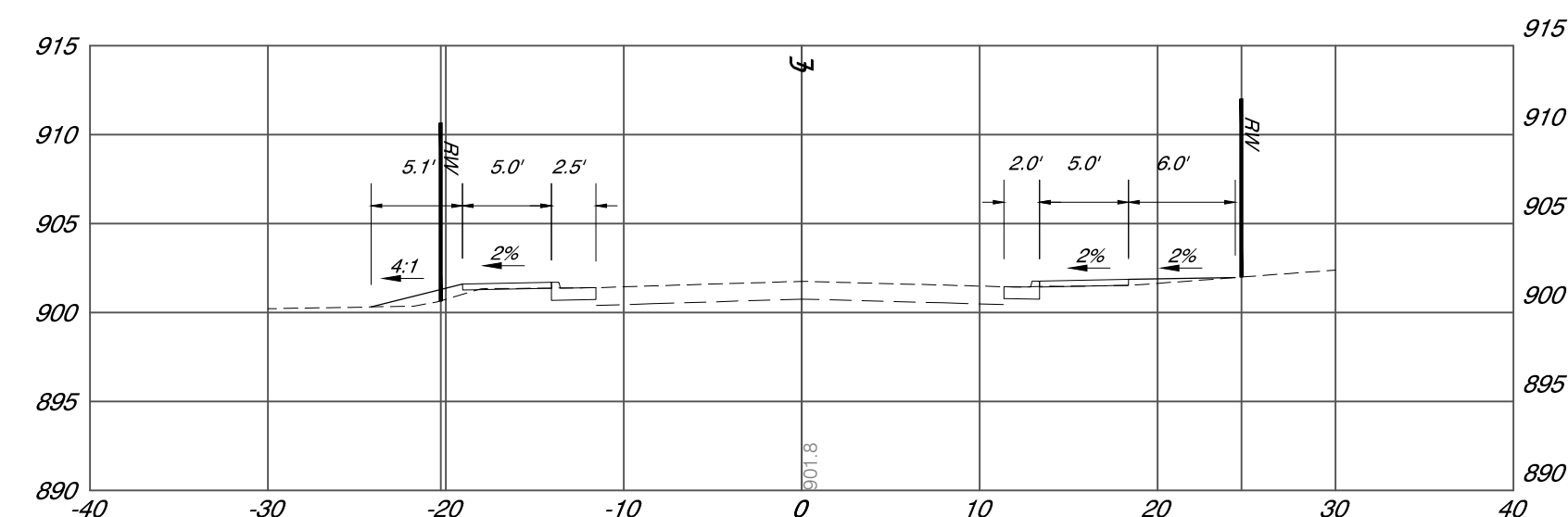


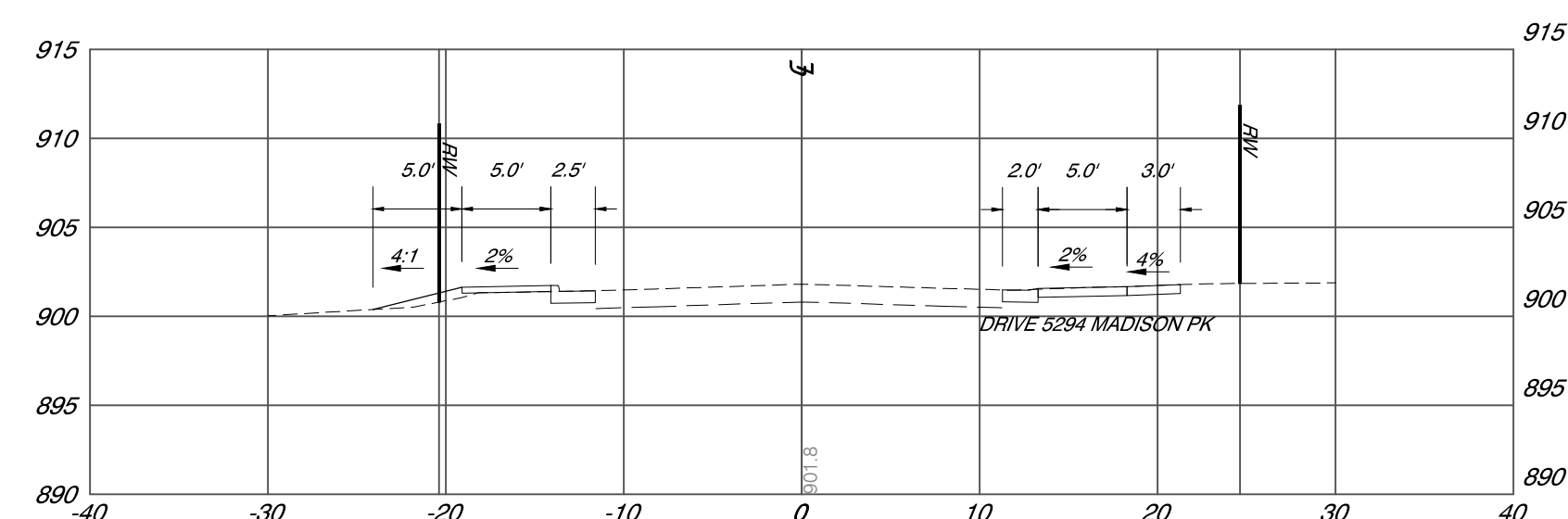
STA. 7+50



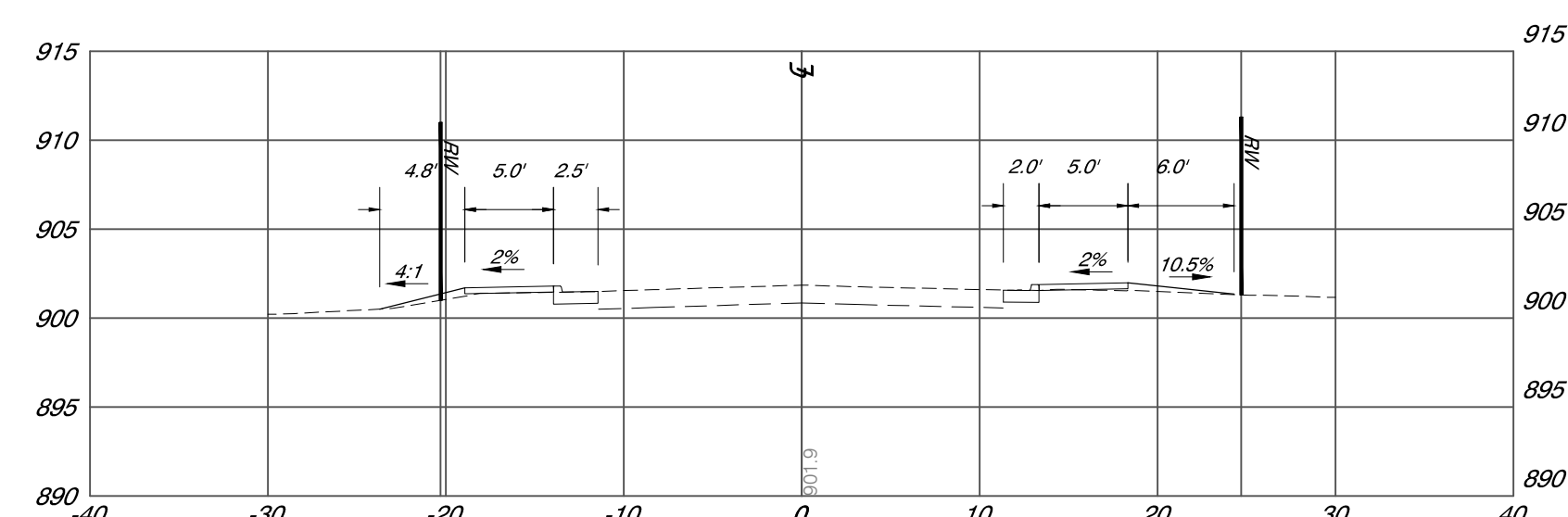
STA. 7+25



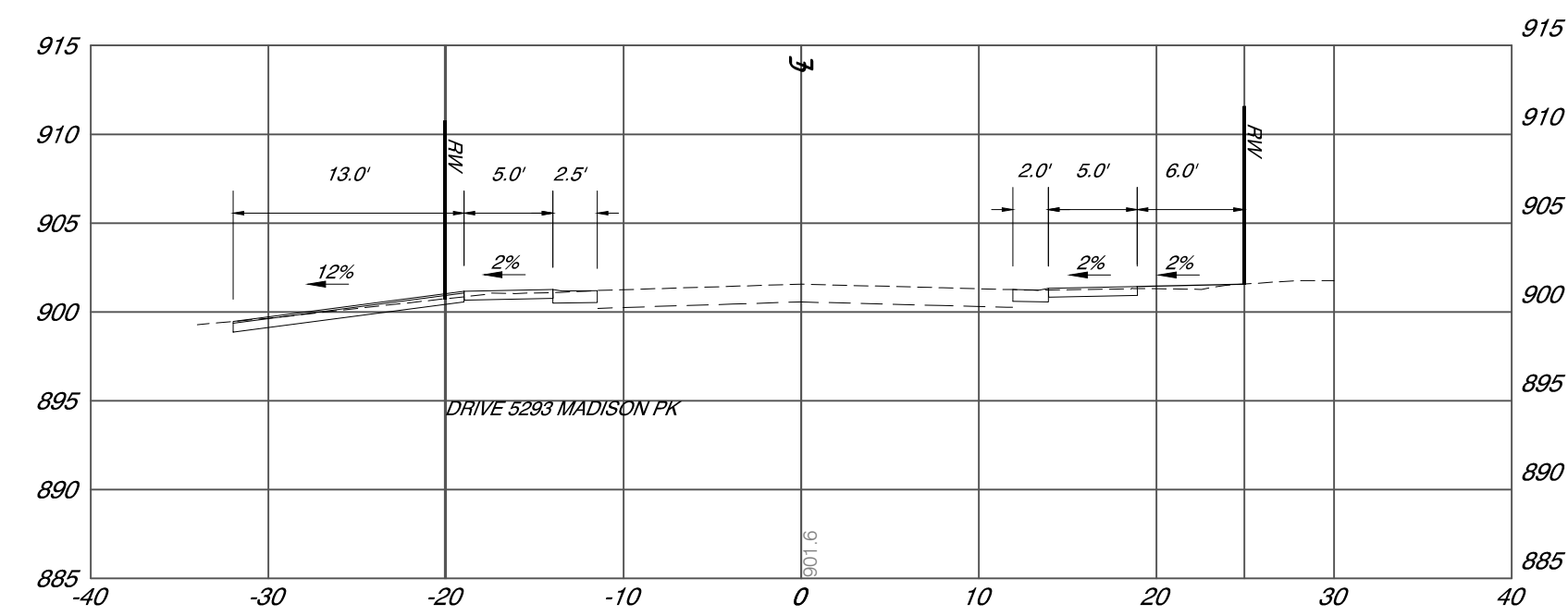
STA. 7+00



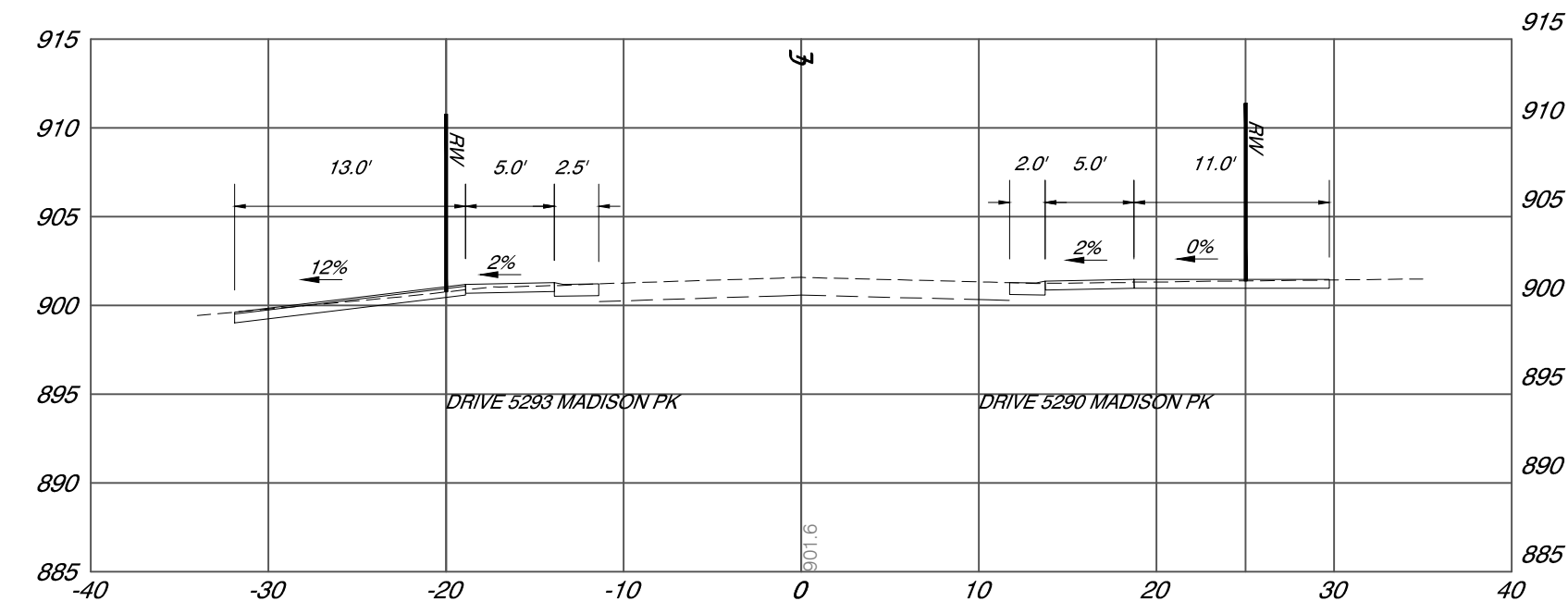
STA. 6+75



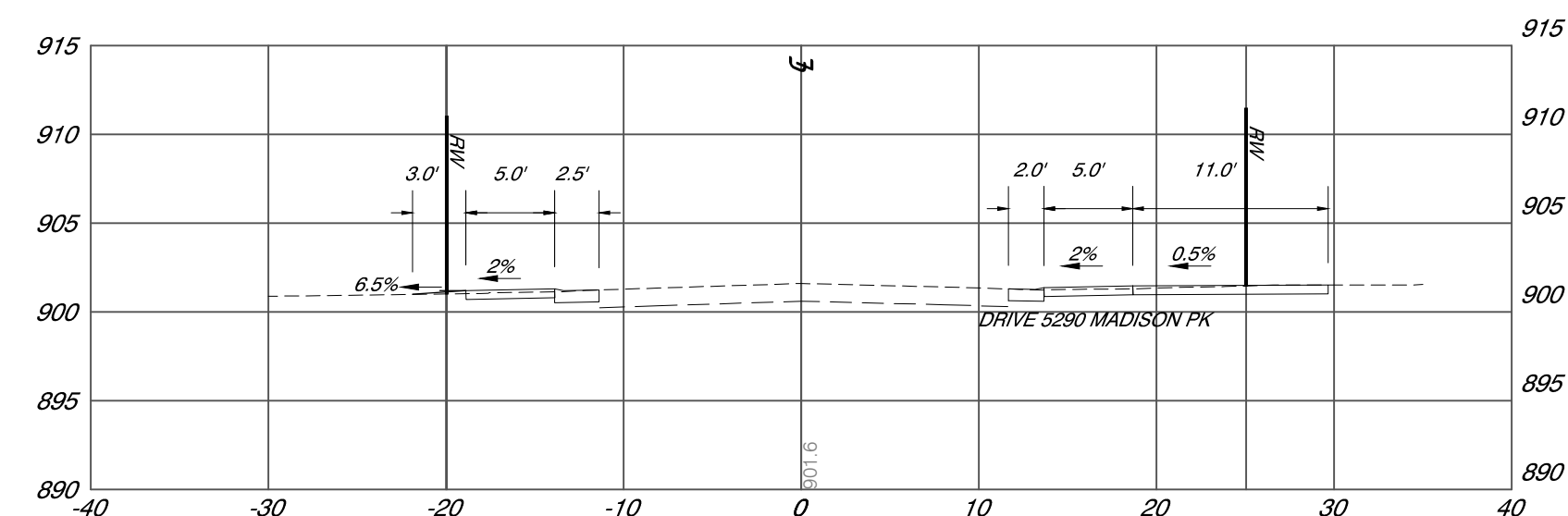
STA. 6+50



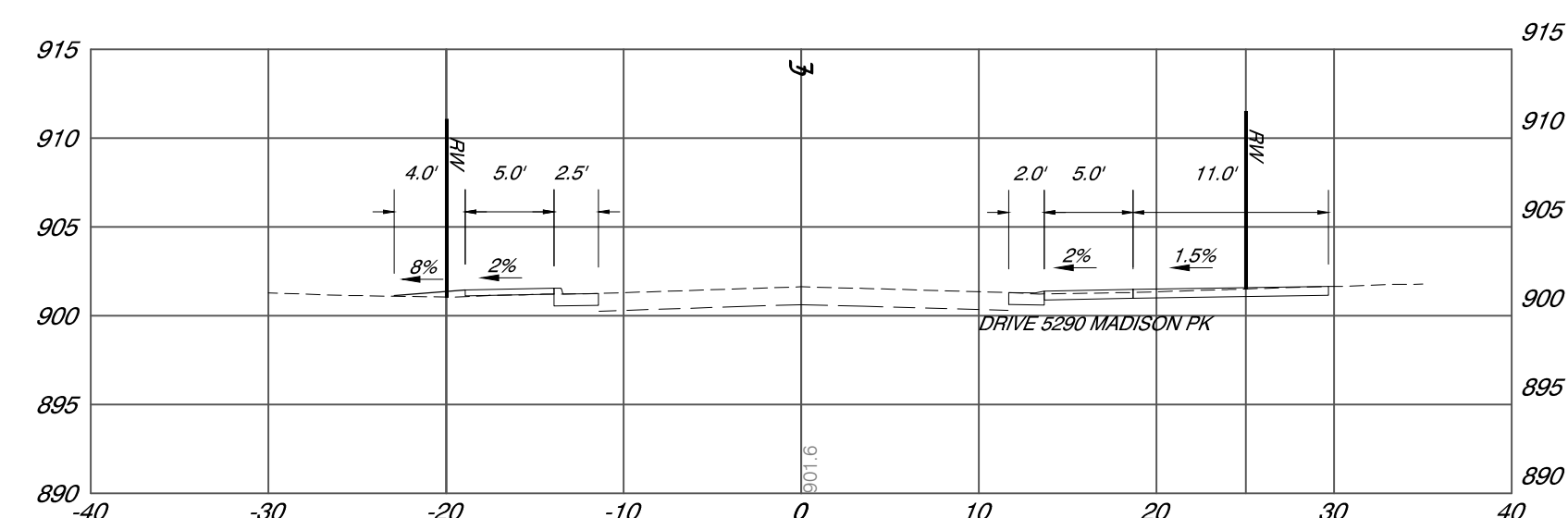
STA. 8+00



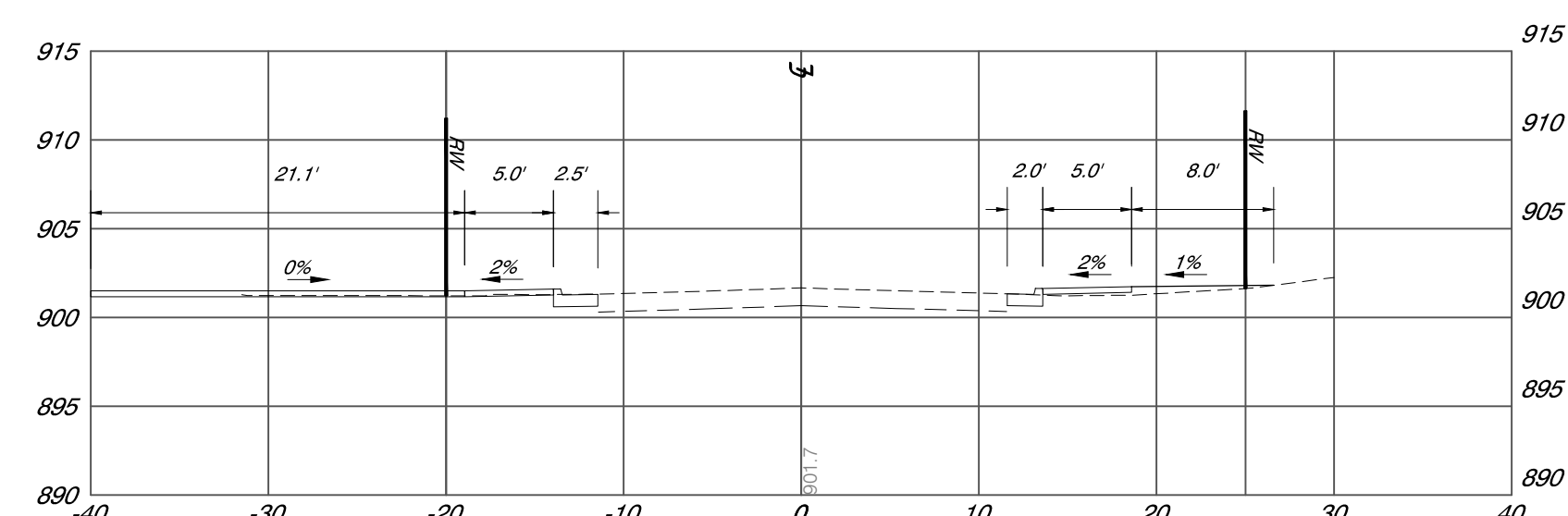
STA. 7+94



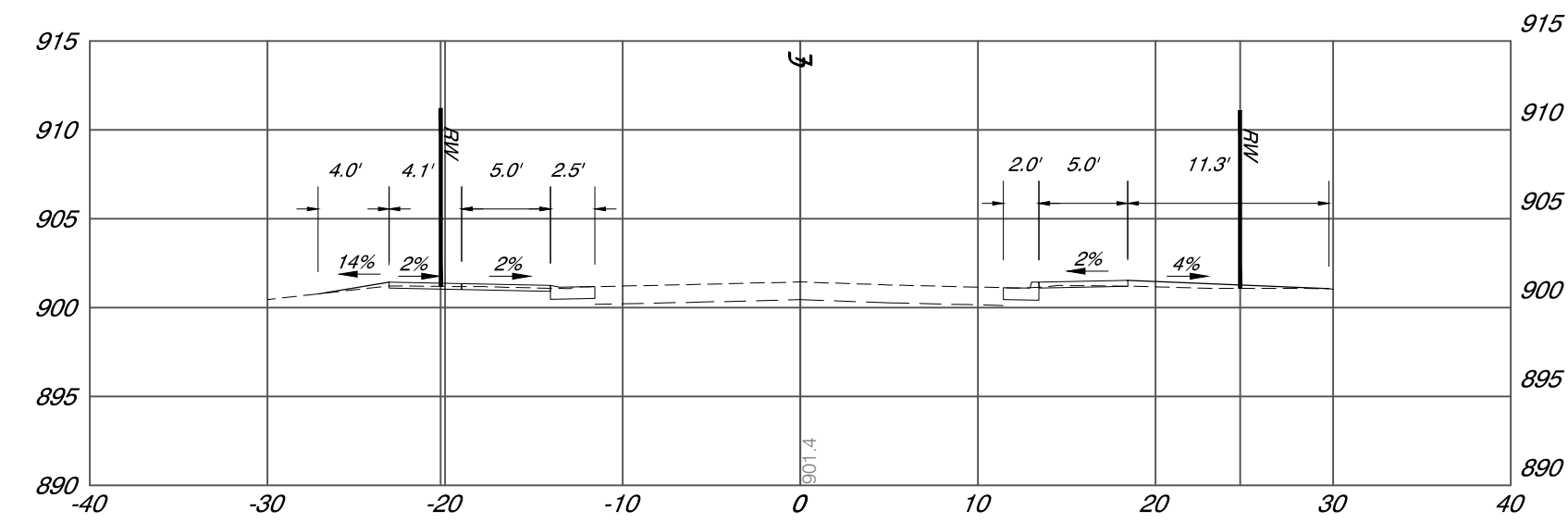
STA. 7+84



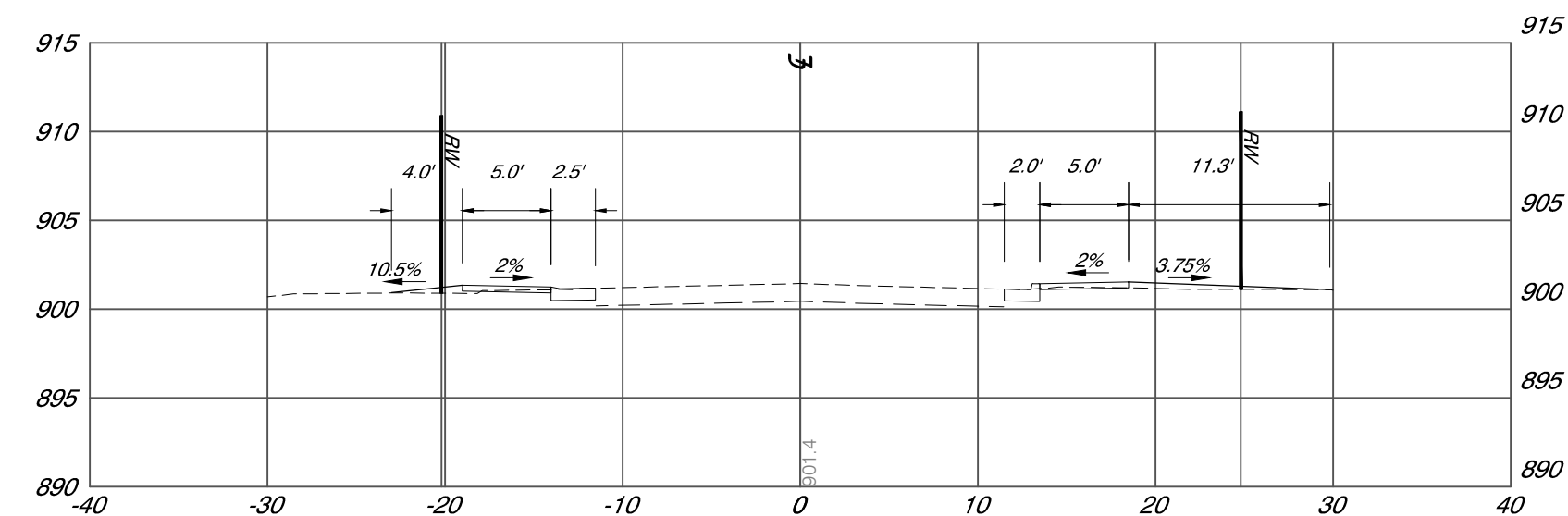
STA. 7+75



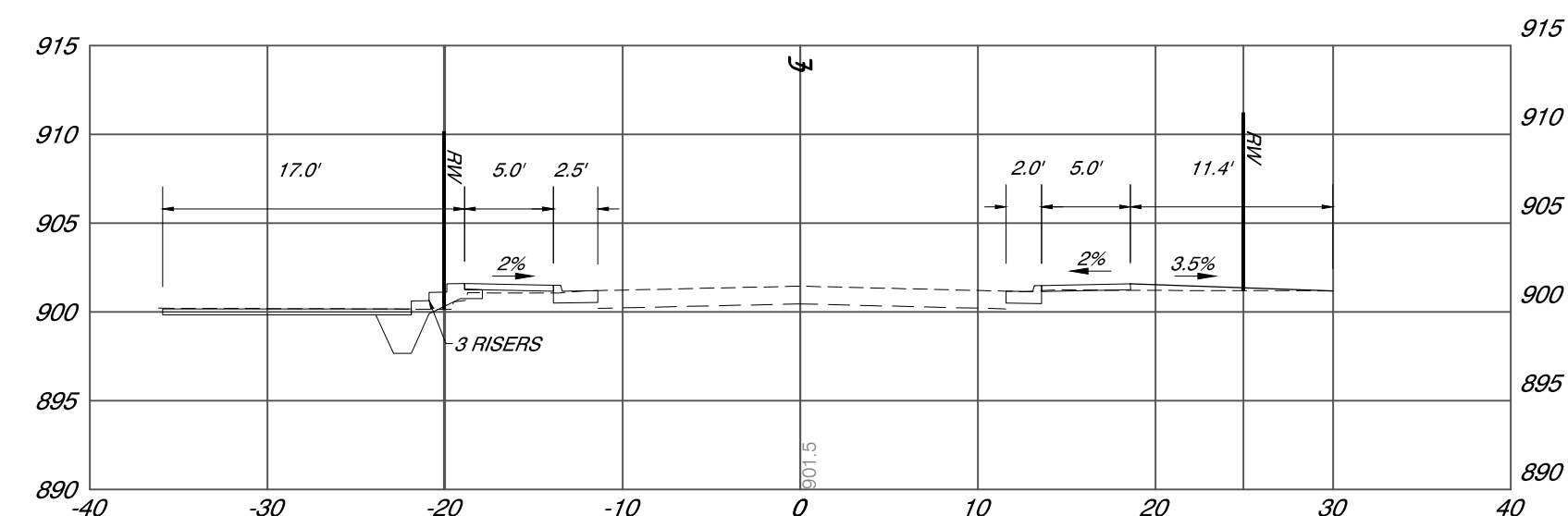
STA. 7+54



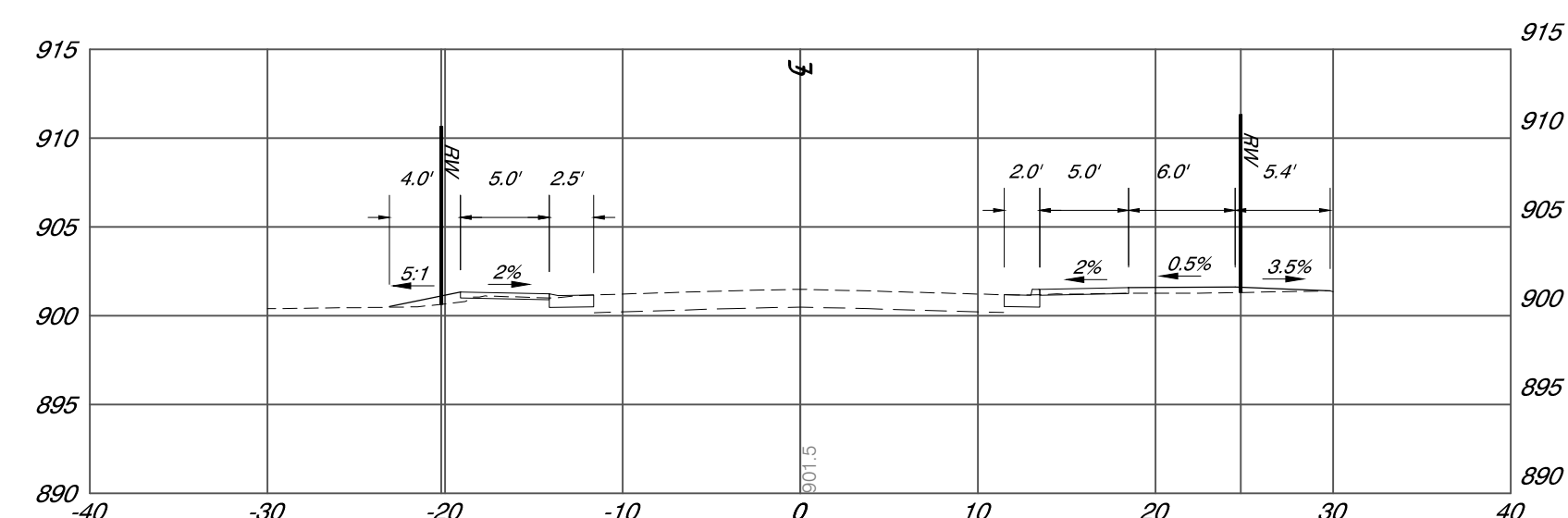
STA. 8+53



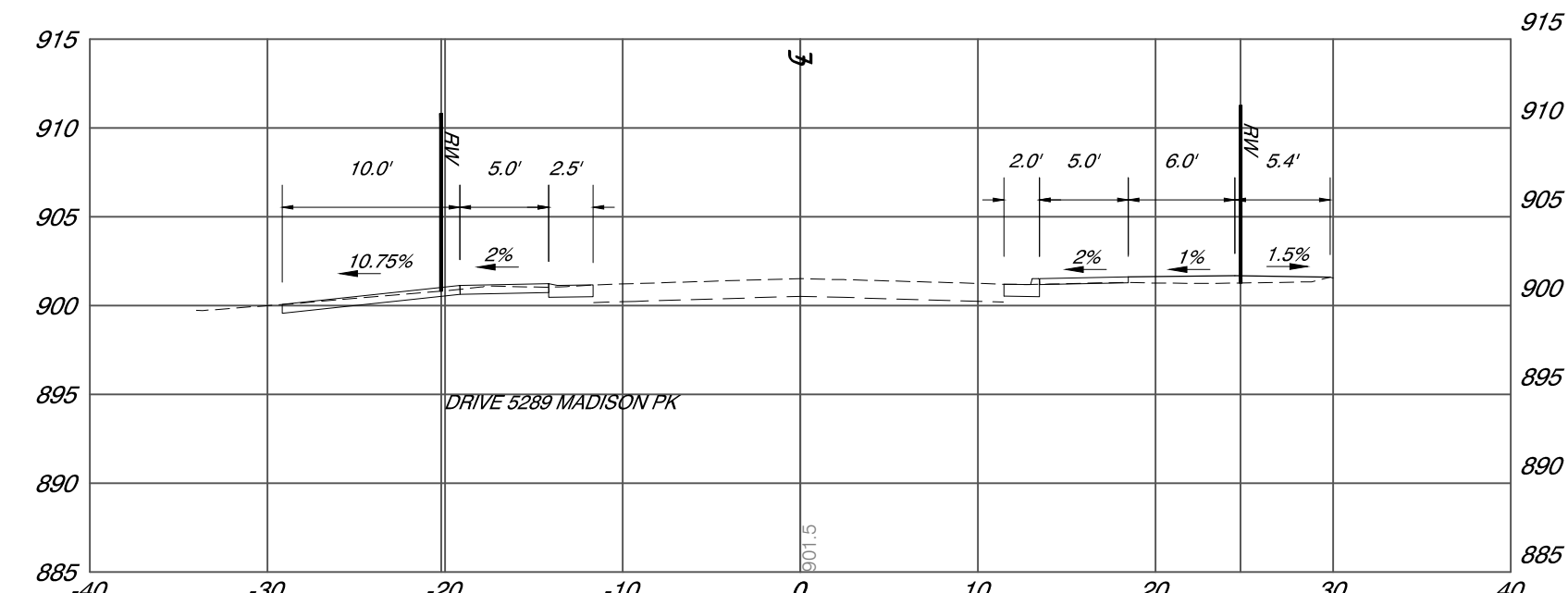
STA. 8+50



STA. 8+41

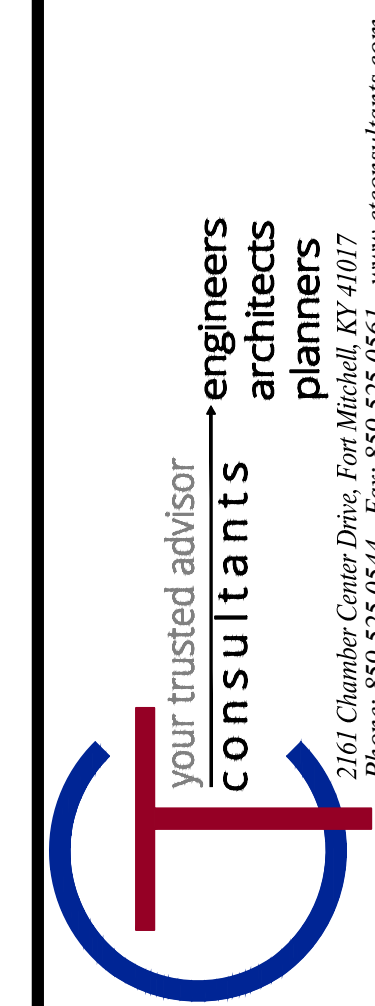


STA. 8+25



STA. 8+12

02/07/19 09:30am TMS SECTIONS 3
C:\PROJECTS\150595\MADISON PIKE PHASE 5\DRAWINGS



© 2019 CT CONSULTANTS

SCALE

SECTIONS SHEET 3

**MADISON PIKE SIDEWALK
PHASE 5
CITY OF INDEPENDENCE, KY**

FORMING TITLE

PROJECT TITLE

REVISIONS

NO.	DATE	BY	DESCRIPTION

SCALE

DATE

1"=10'

02/07/19

DRAWN BY

PROJECT MGR

RSEI

MHEL

PROJECT NO.

FLAT FILE

150595

KY-A9

DRAWING NO.

XS-3

SHEET 9 OF 13