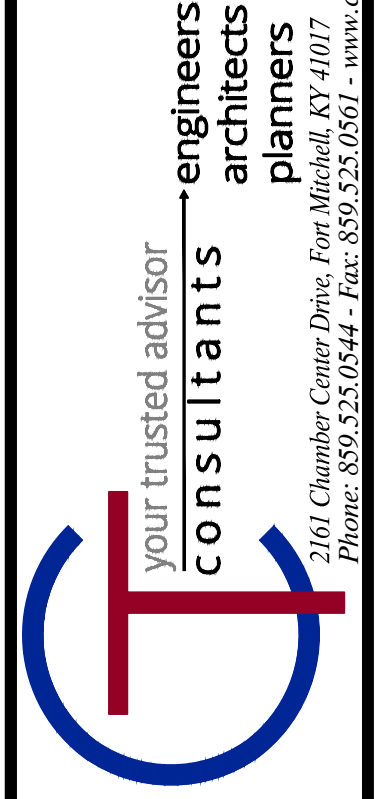
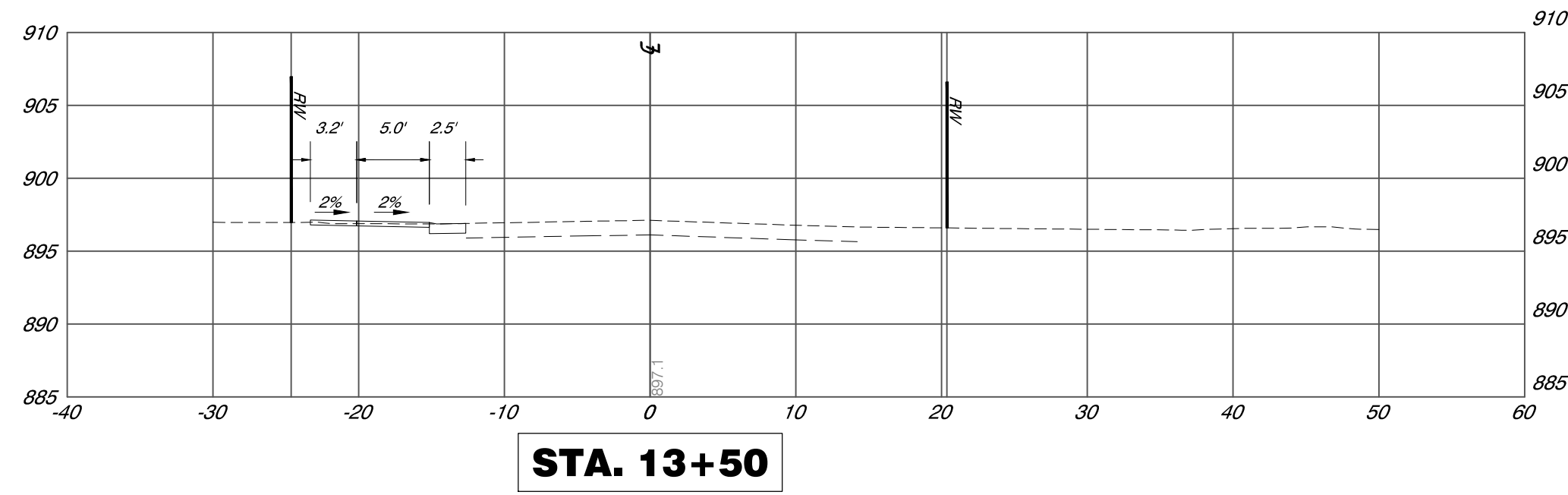
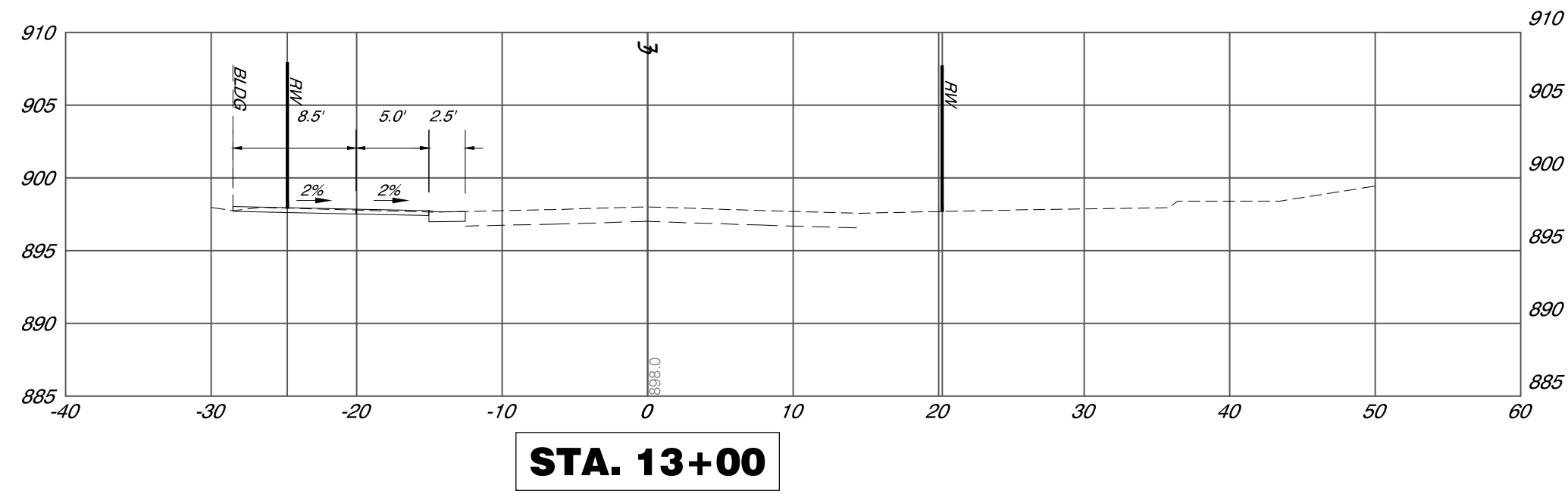
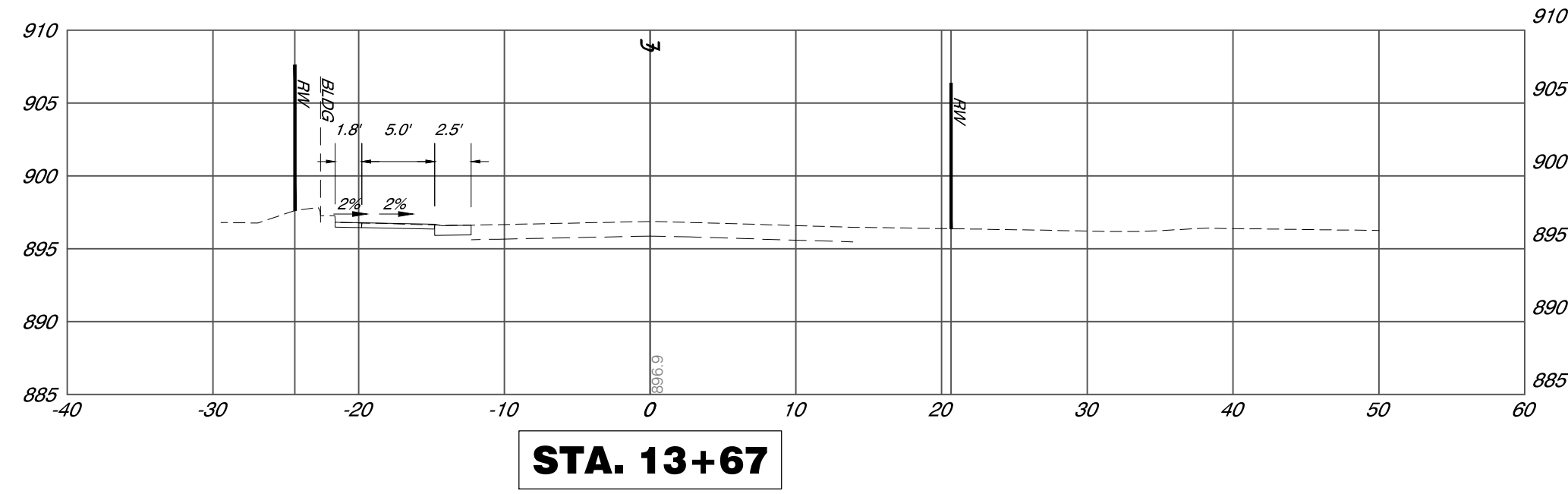
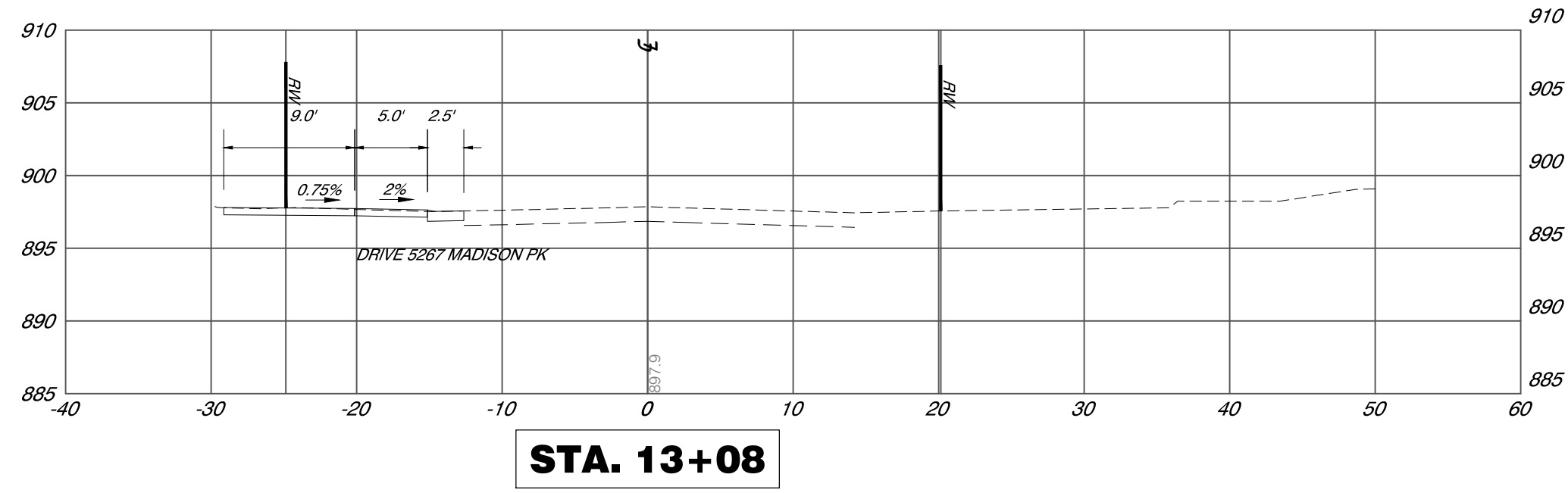
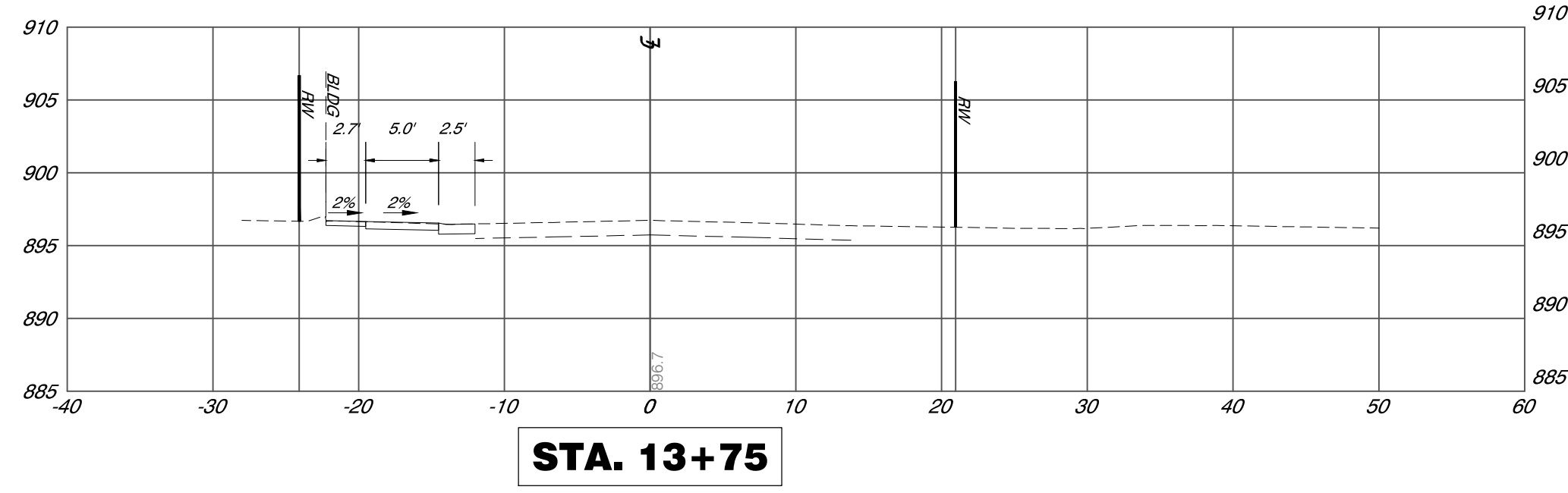
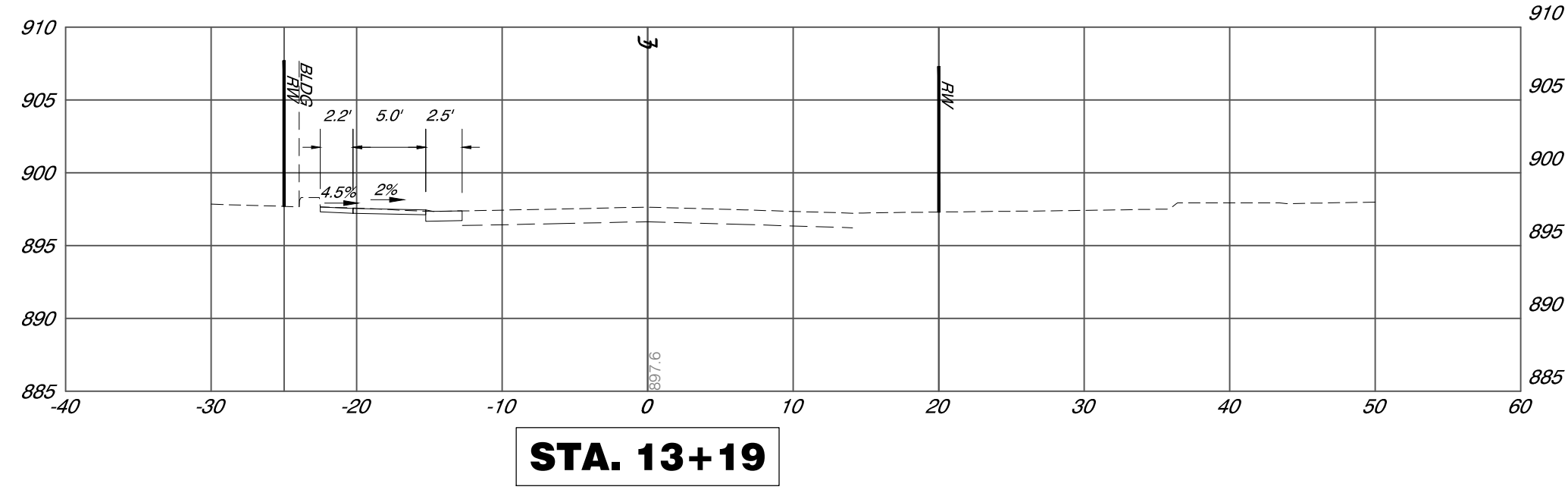
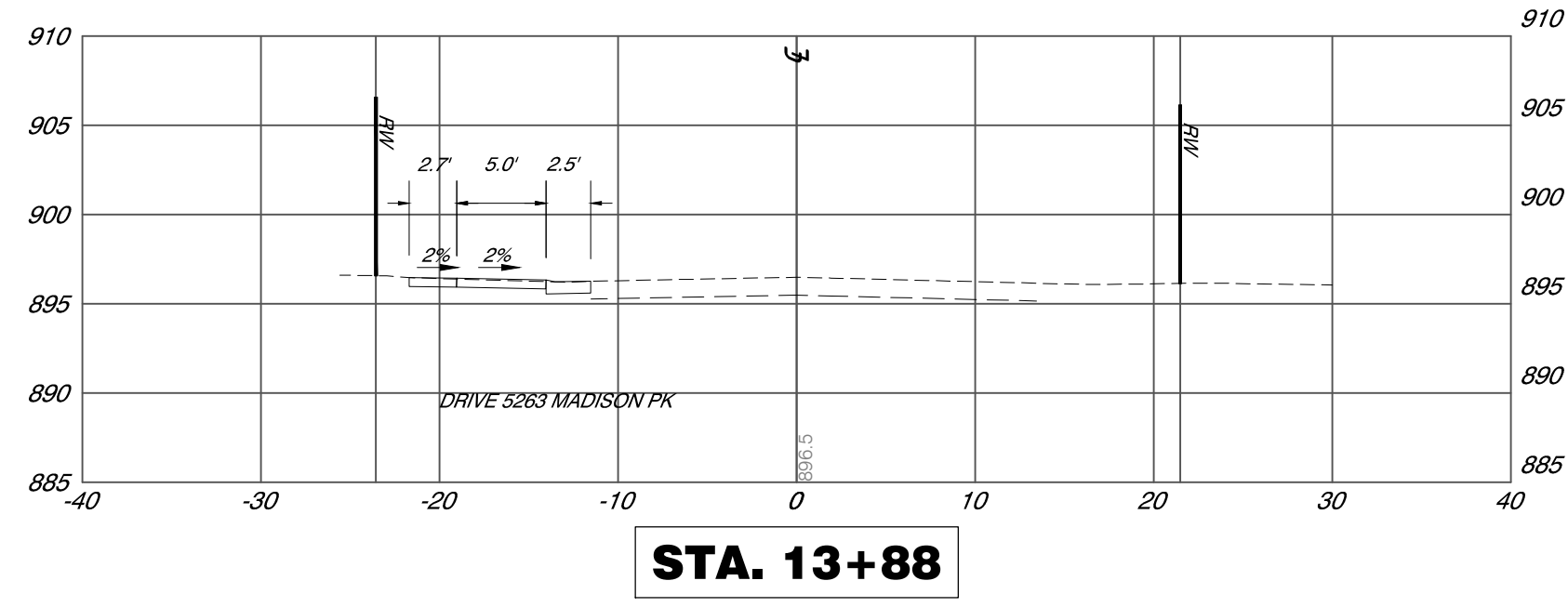
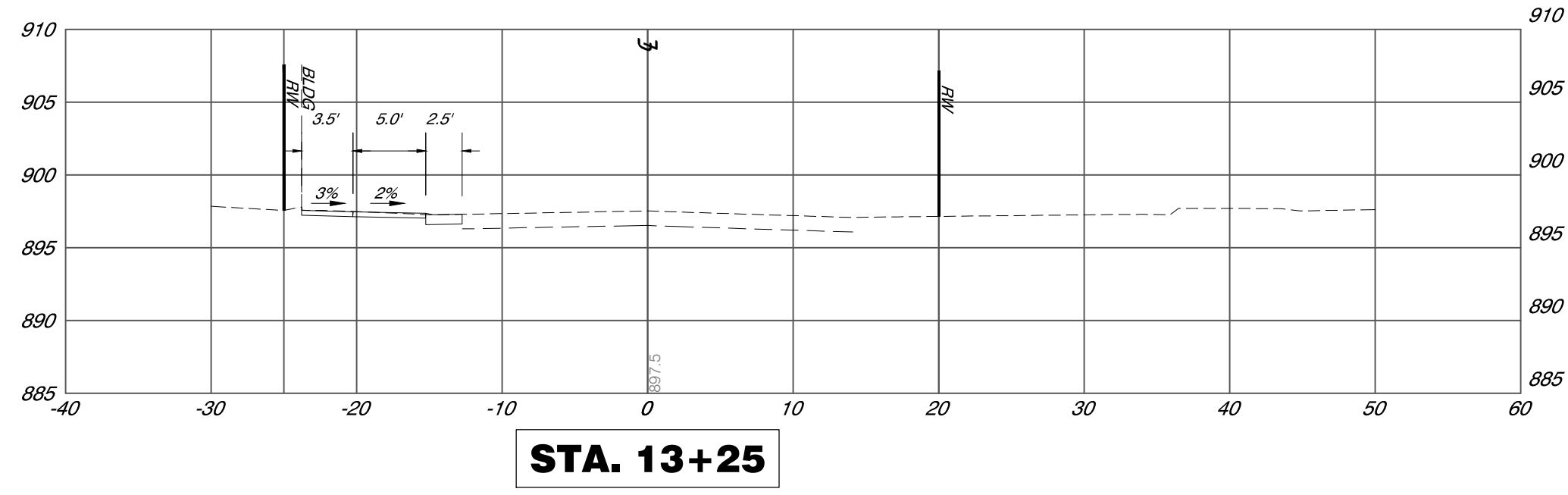
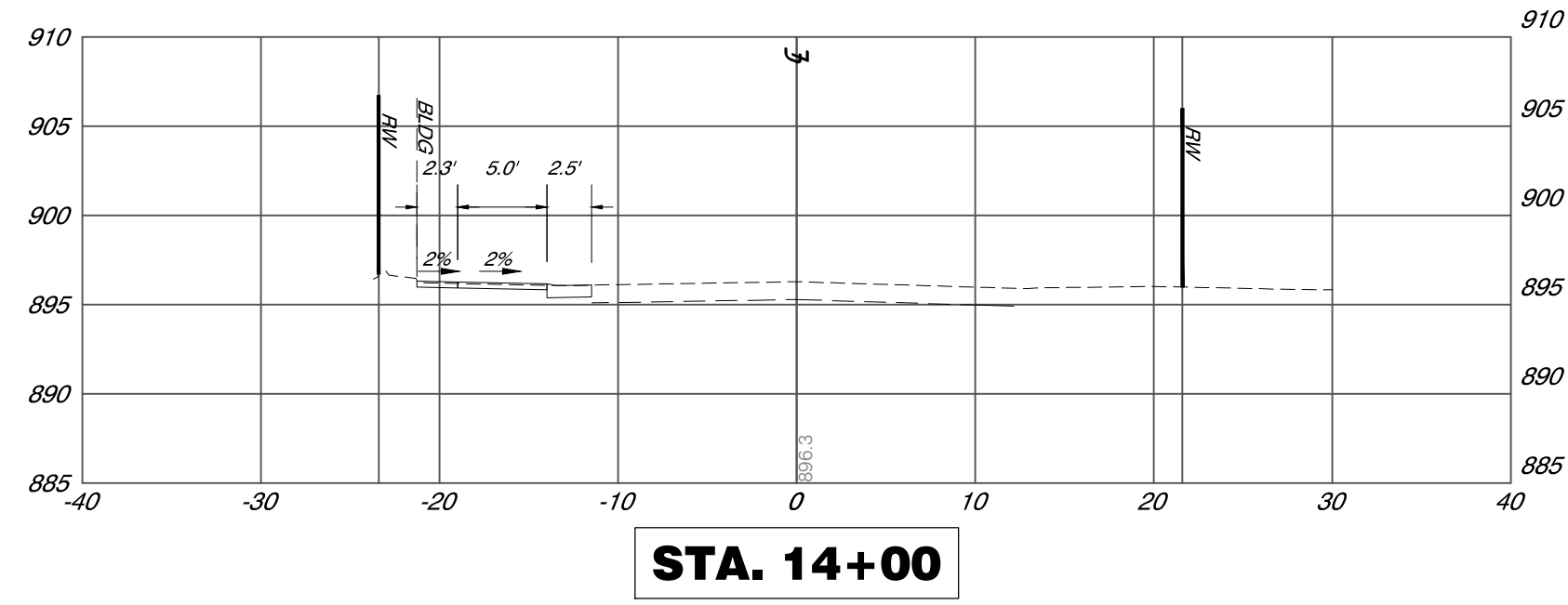
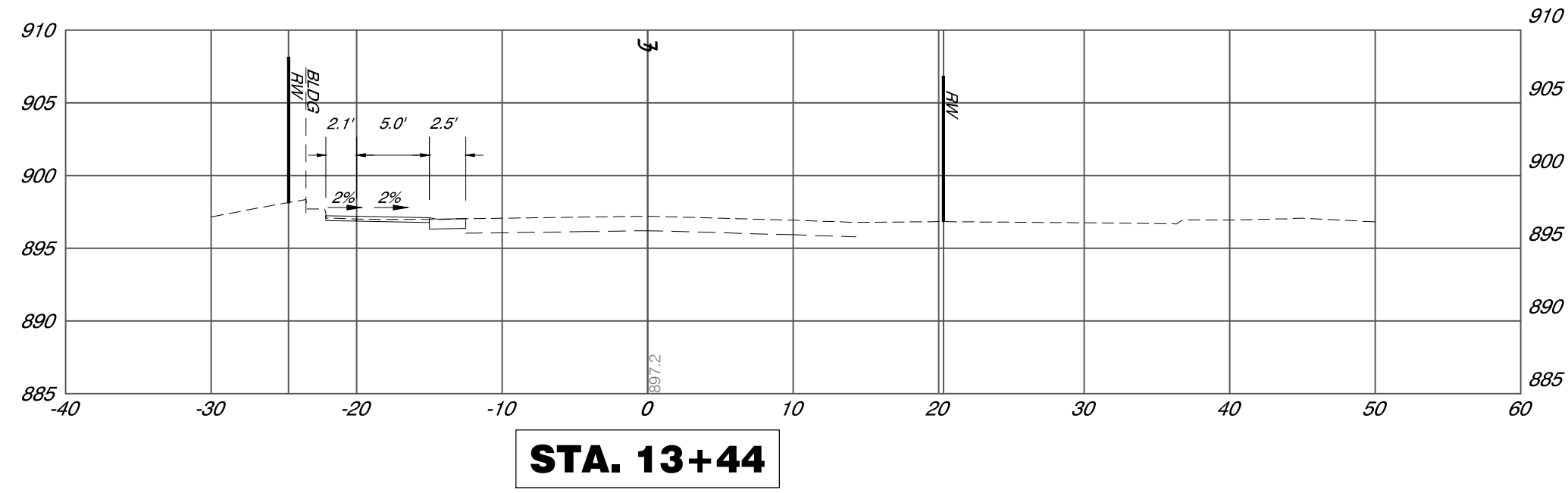


02/07/19 09:34am TKS SECTIONS 6
C:\PROJECTS\150595\MADISON PIKE\150595-05\150595-05.dwg



2161 Chamber Center Drive, Fort Mitchell, KY 41017
Phone: 859.525.0544 - Fax: 859.525.0561 - www.ctconsultants.com

© 2019 CT CONSULTANTS

SCALE

SECTIONS SHEET 6

**MADISON PIKE SIDEWALK
PHASE 5
CITY OF INDEPENDENCE, KY**

FORMING TITLE

PROJECT TITLE

REVISIONS

NO.	DATE	BY	DESCRIPTION

SCALE	DATE
1"=10'	02/07/19
DRAWN BY	PROJECT MGR
RSEI	MHEL
PROJECT NO.	FLAT FILE
150595	KY-A9

DRAWING No.
XS-6

SHEET 12 OF 13