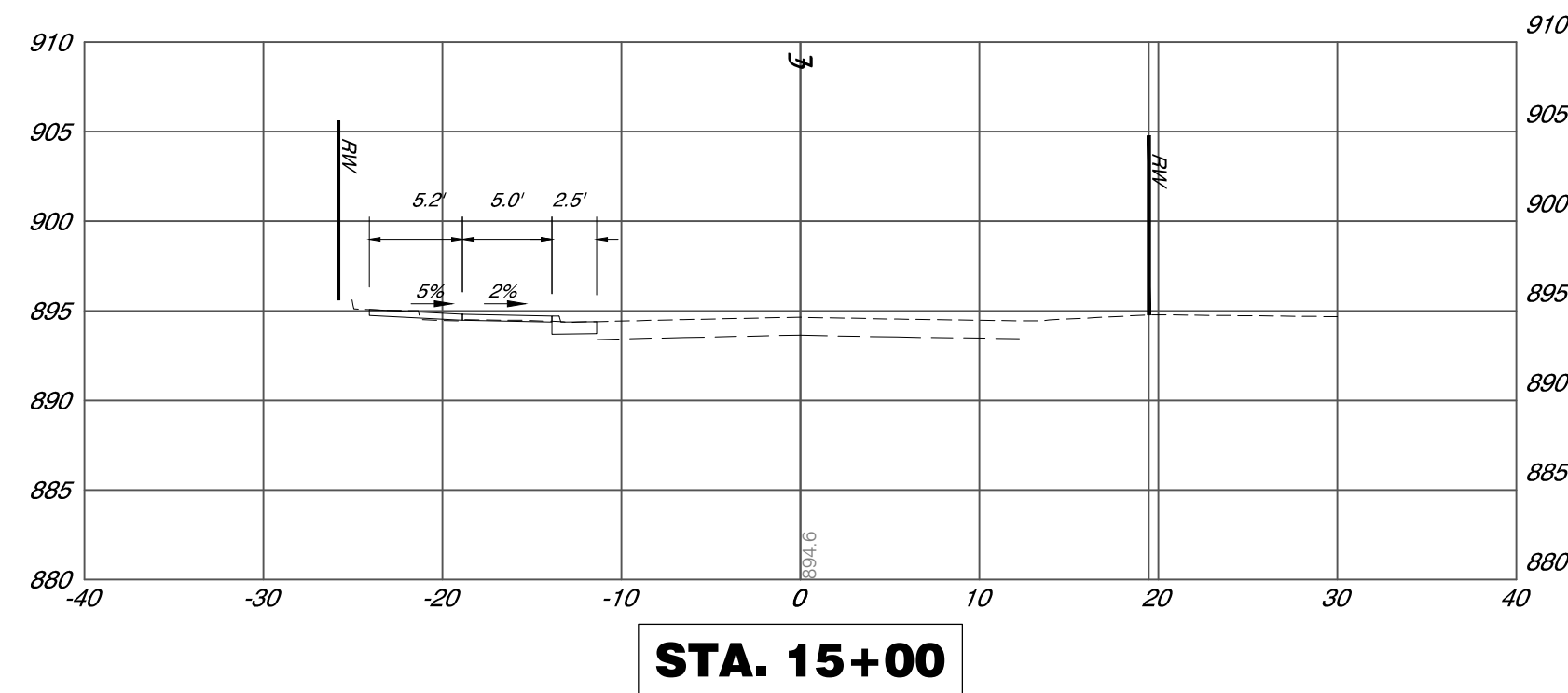
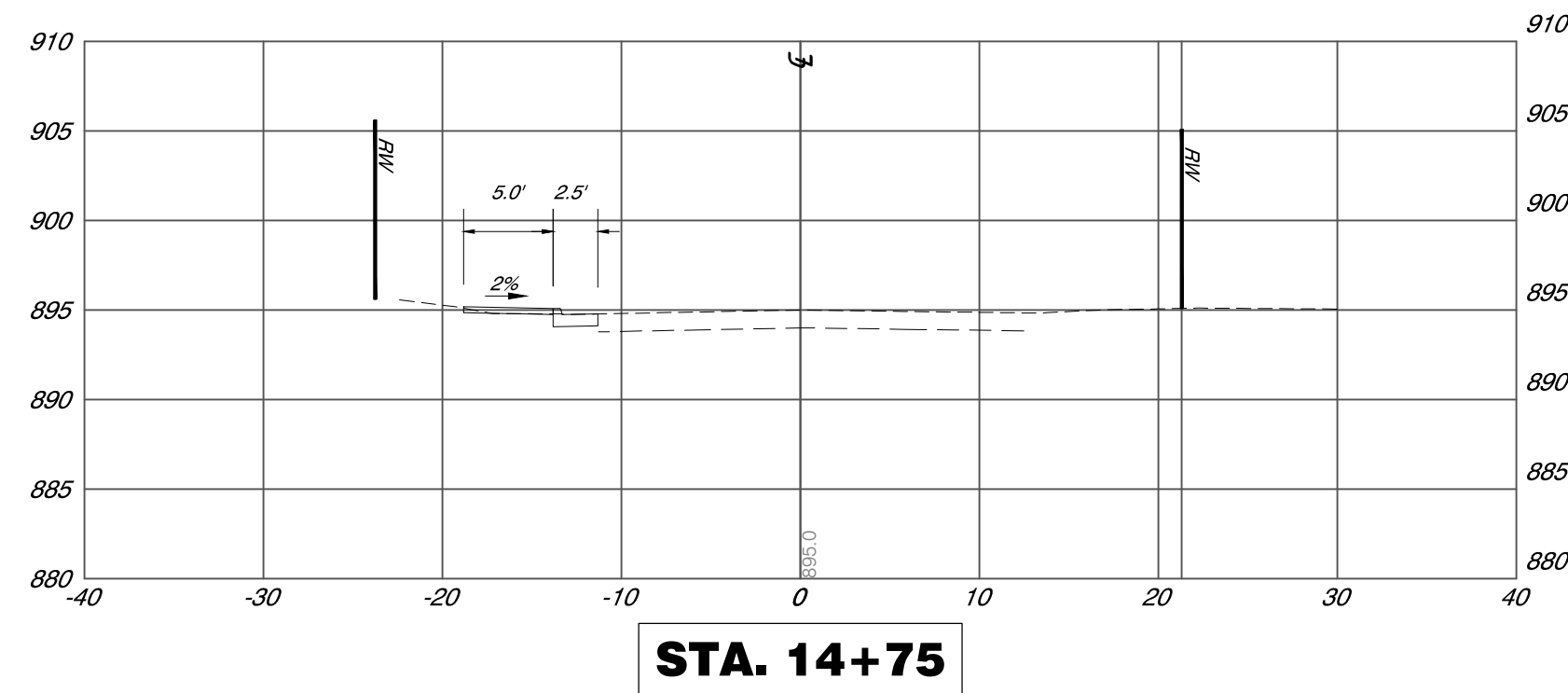


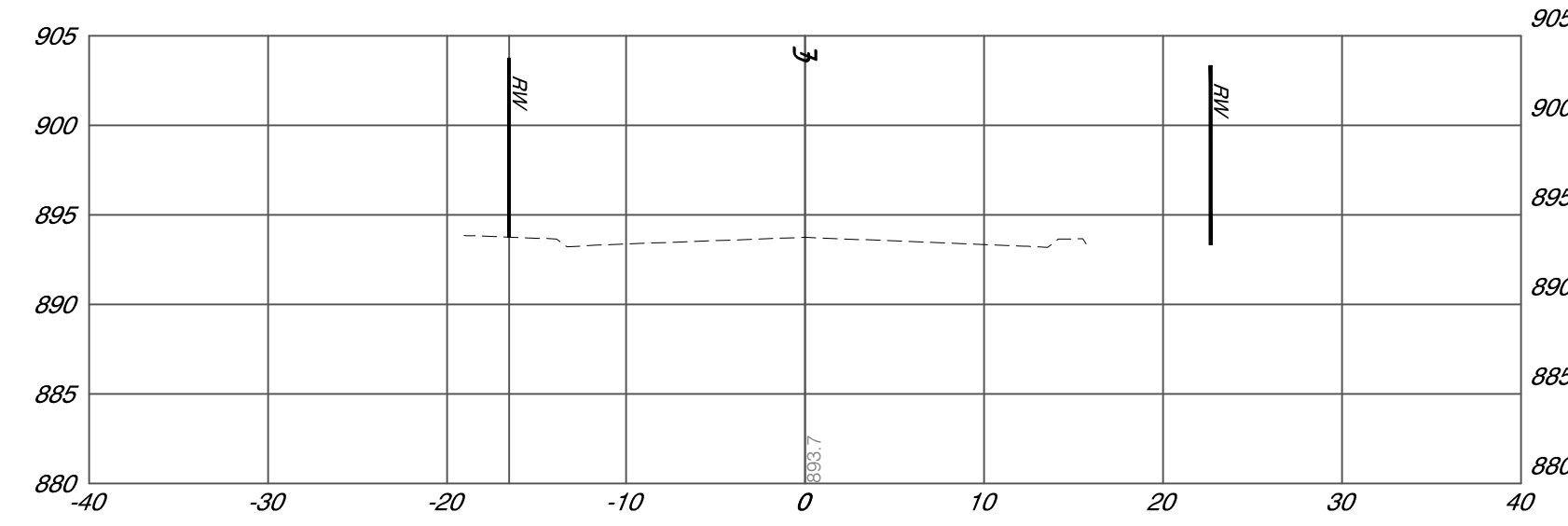
02/07/19 09:30am 1/48 SECTIONS 7  
C:\projects\150595\150595.dwg



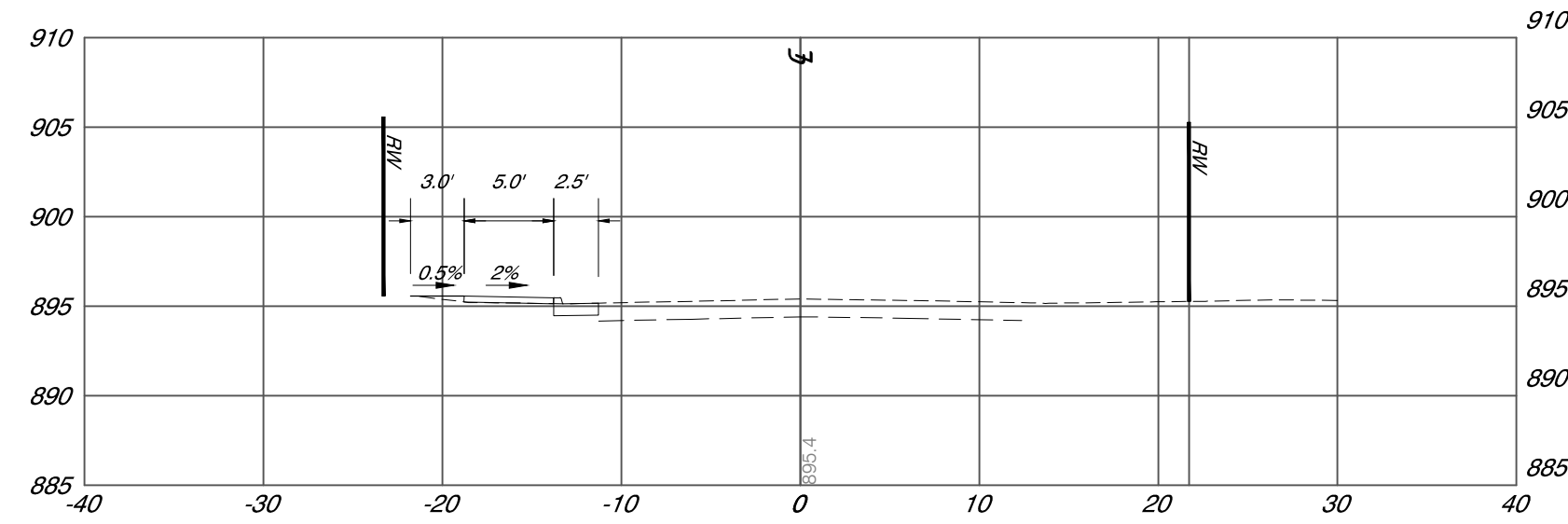
**STA. 15+00**



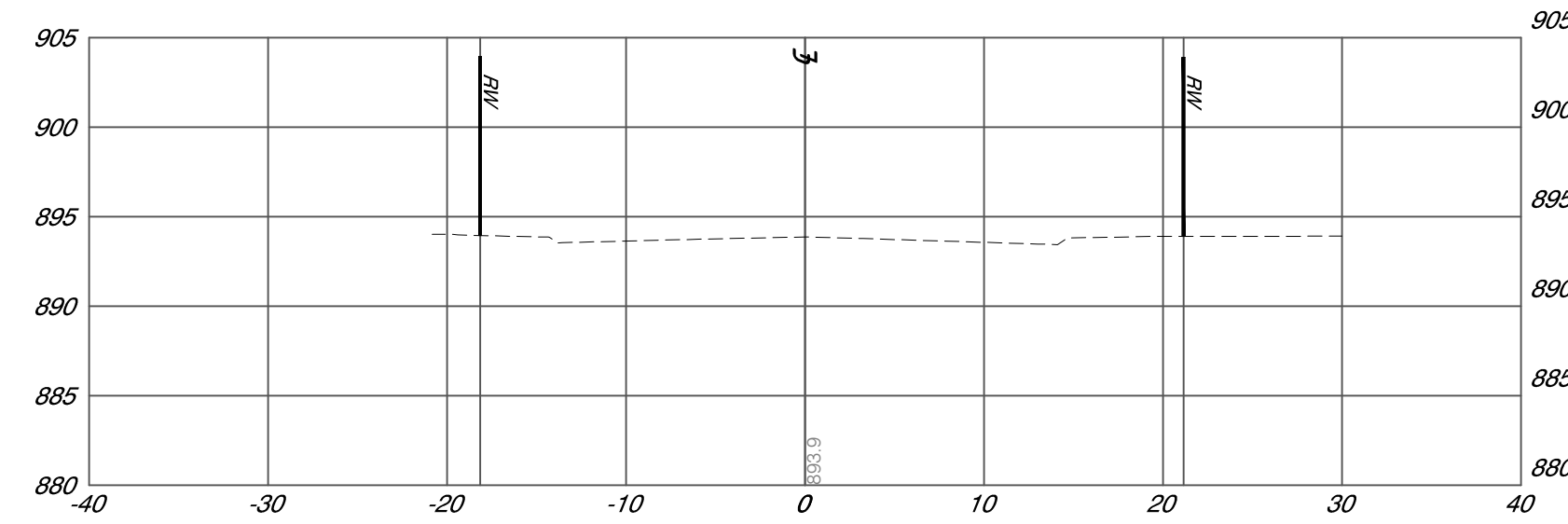
**STA. 14+75**



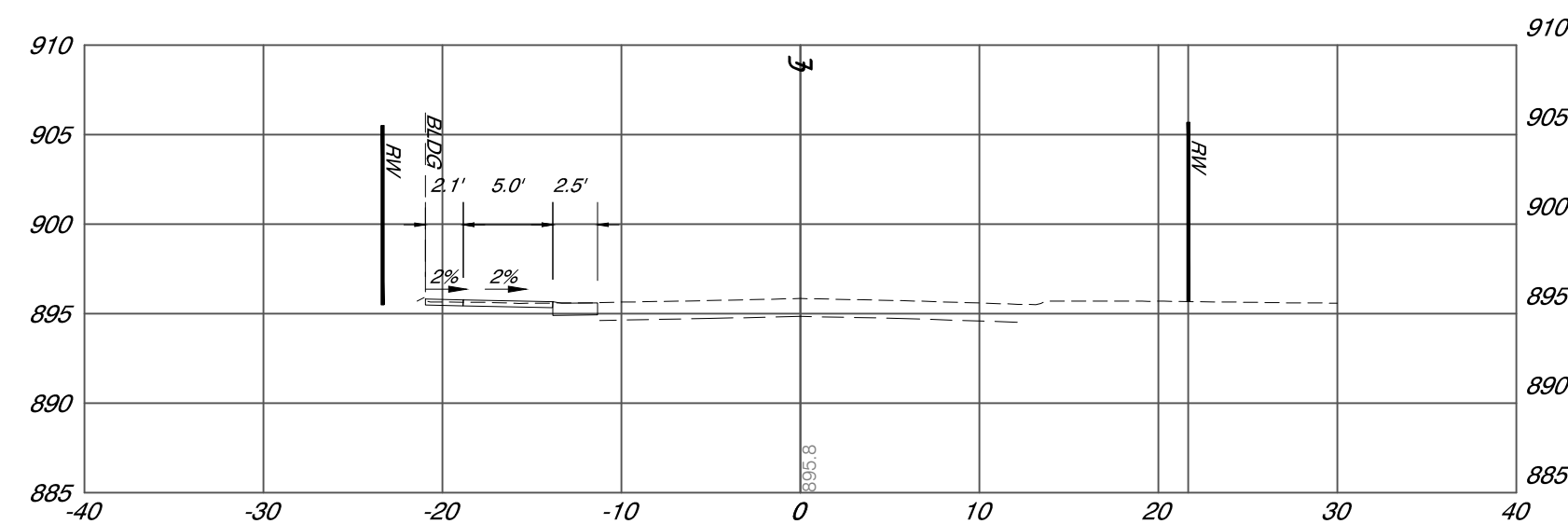
**STA. 15+94**



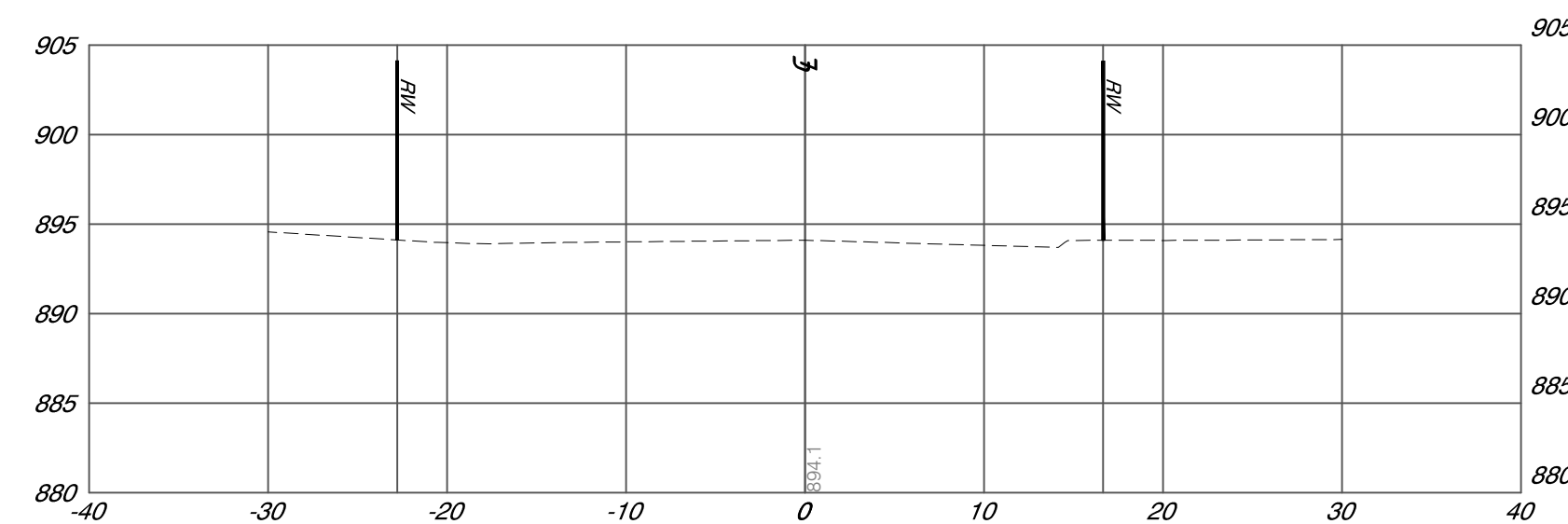
**STA. 14+50**



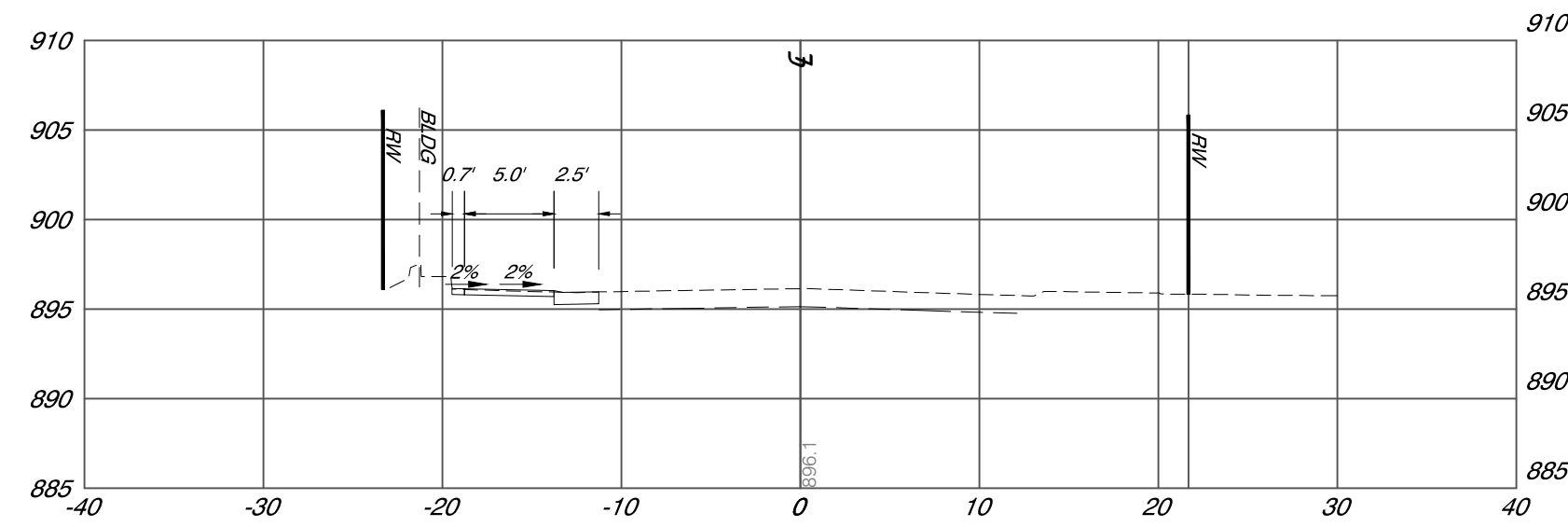
**STA. 15+75**



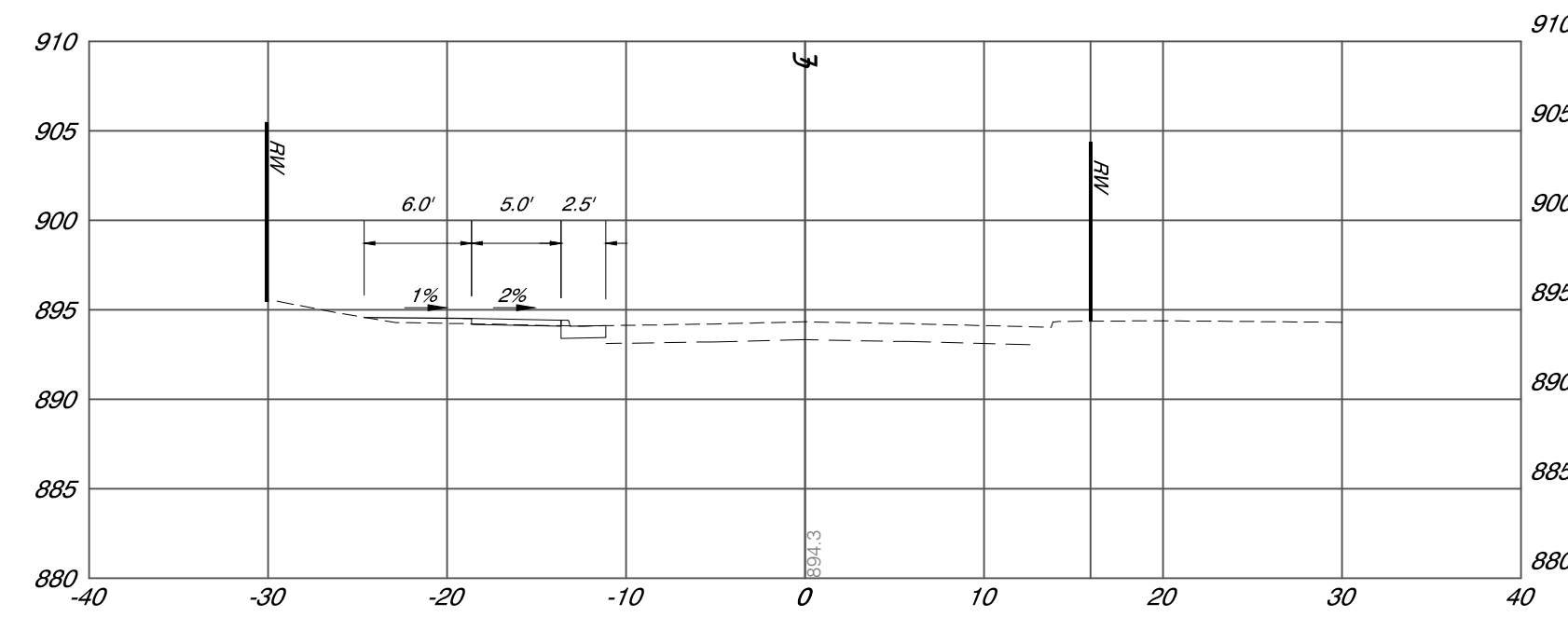
**STA. 14+25**



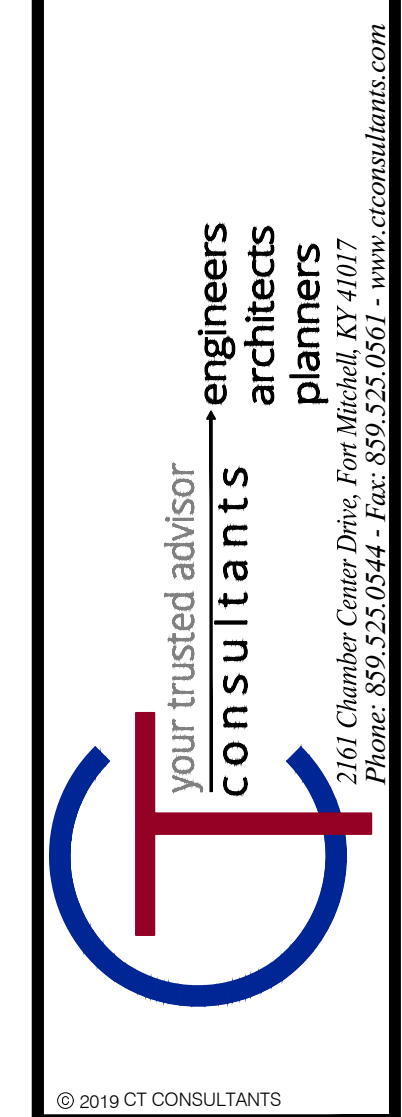
**STA. 15+50**



**STA. 14+08**



**STA. 15+25**



your trusted advisor  
**CONSULTANTS**  
 architects  
 planners  
 engineers

2161 Chamber Center Drive, Fort Mitchell, KY 41017  
 Phone: 859.525.0544 - Fax: 859.525.0561 - www.ctconsultants.com

© 2019 CT CONSULTANTS

SCALE

SECTIONS SHEET 7

**MADISON PIKE SIDEWALK  
 PHASE 5  
 CITY OF INDEPENDENCE, KY**

FORMING TITLE

PROJECT TITLE

REVISIONS

NO.	DATE	BY	DESCRIPTION

SCALE	DATE
1"=10'	02/07/19
DRAWN BY RSEI	PROJECT MGR MHEL
PROJECT NO. 150595	FLAT FILE KY-A9

DRAWING No.

**XS-7**