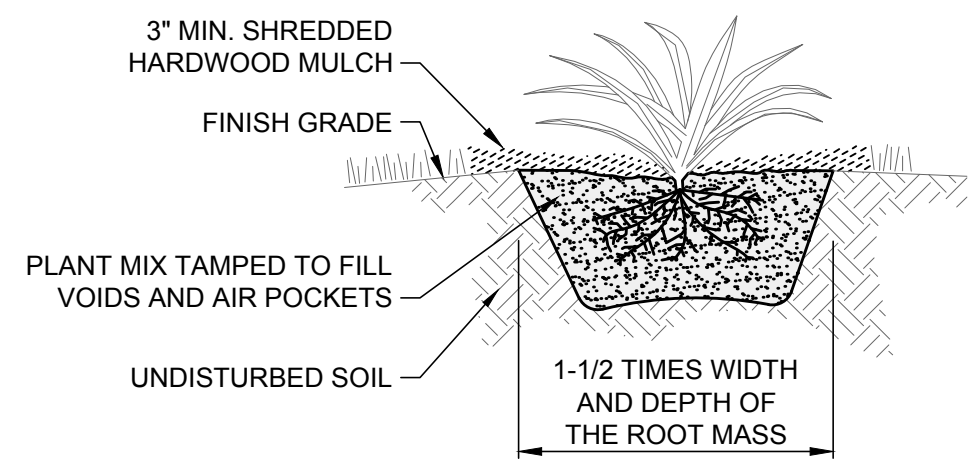


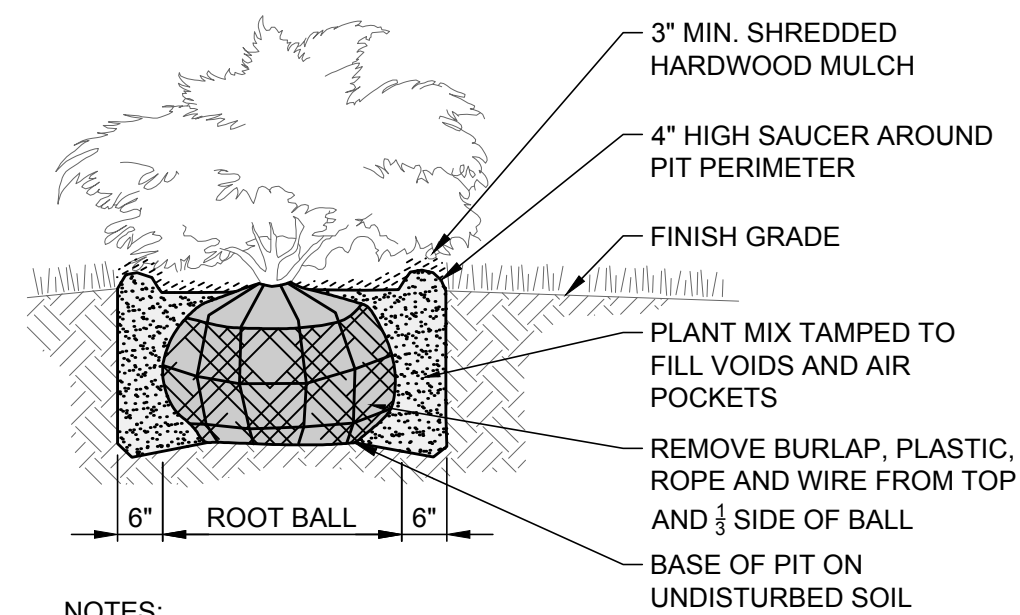
NOTES:

- 1) CROWN OF ROOT BALL TO BEAR THE SAME RELATION TO FINISH GRADE WHICH IT WAS GROWN AT THE NURSERY.
- 2) WATER AS NEEDED W/ WATERING BAGS.

**8 TREE PLANTING DETAIL**  
L-02 SCALE: NONE



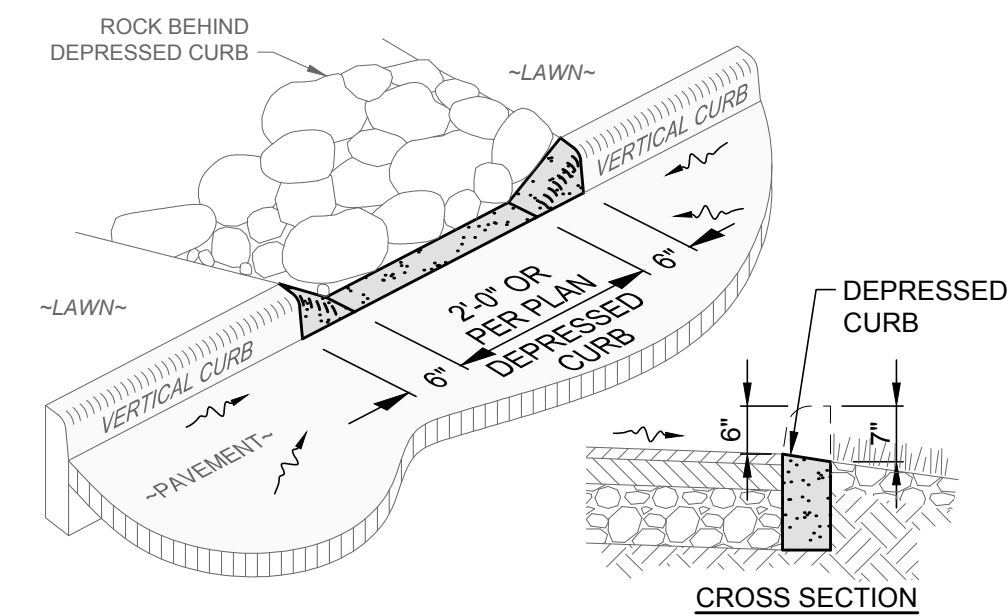
**7 ANNUAL AND PERENNIAL PLANTING DETAIL**  
L-02 SCALE: NONE



NOTES:

- 1) CROWN OF ROOT BALL TO BEAR THE SAME RELATION TO FINISH GRADE WHICH IT WAS GROWN AT THE NURSERY.

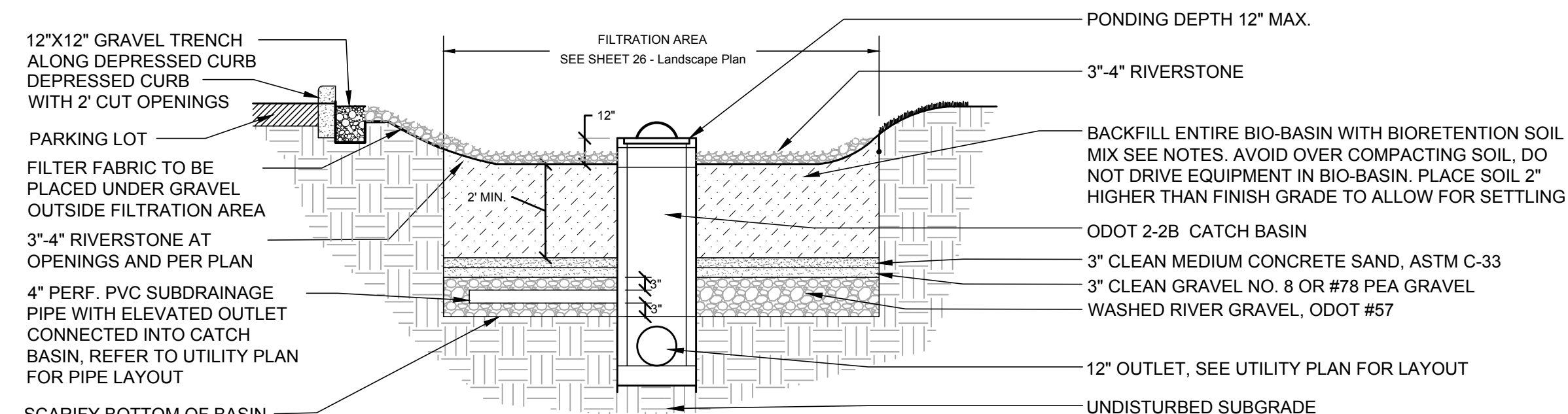
**6 SHRUB PLANTING DETAIL**  
L-02 SCALE: NONE



NOTES:

- 1) DEPRESSED CURB EDGE SHALL BE FLUSH WITH PAVEMENT AND SLOPED TOWARDS BIO-RETENTION BASIN.
- 2) THIS DETAIL SHOWS A VERTICAL CURB FOR REFERENCE ONLY. SEE SITE PLAN FOR ACTUAL TYPE OF CURB.

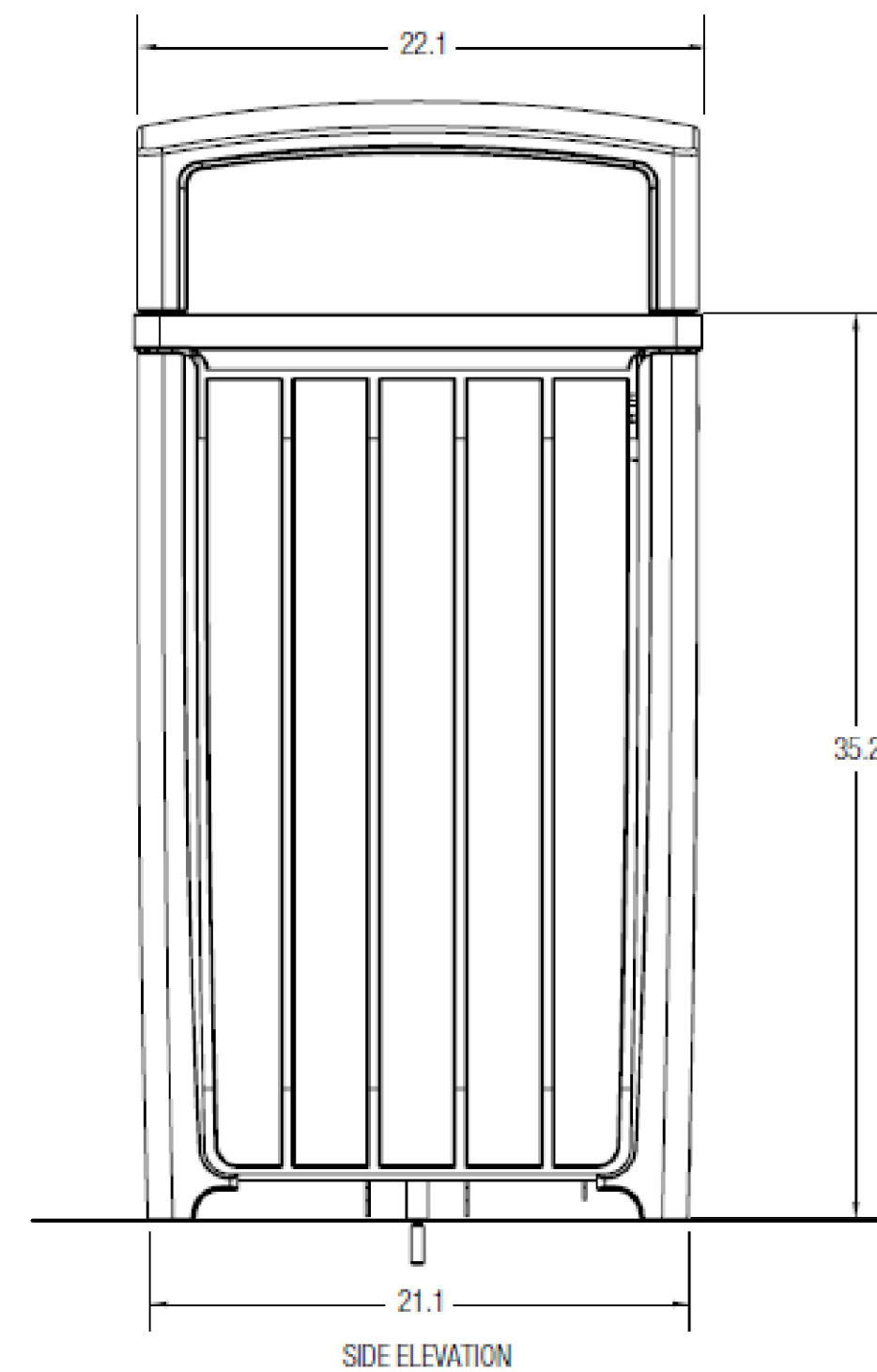
**5 DEPRESSED CURB AT BIO-BASIN DETAIL**  
L-02 SCALE: NONE



NOTES:

- 1) BIORETENTION SOIL MIX WILL BE OBTAINED FROM KURTZ BROTHERS OR EQUAL, 216-986-9000, CALLED HYDRO CLEAR BIORETENTION SOIL™ MIX OR EQUAL OEPA APPROVED SOIL MIX. SOIL SHALL BE A LOAMY SAND: SAND SHALL BE >80% CLAY CONTENT <10% ORGANIC CONTENT 3-5% BY WEIGHT, pH 5.2-8% AND PHOSPHORUS 15-60 mg/kg P. THE FILL MEDIA SHALL BE A UNIFORM MIX, FREE OF STONES, STUMPS, ROOTS, OR OTHER SIMILAR OBJECTS LARGER THAN 0.04 INCHES. AVOID OVER COMPACTING THE SOIL MIX. DO NOT DRIVE EQUIPMENT IN THE BIO-BASIN.
- 2) BIORETENTION SOIL MIX MUST MEET ODNR BIORETENTION SOIL SPECIFICATIONS.

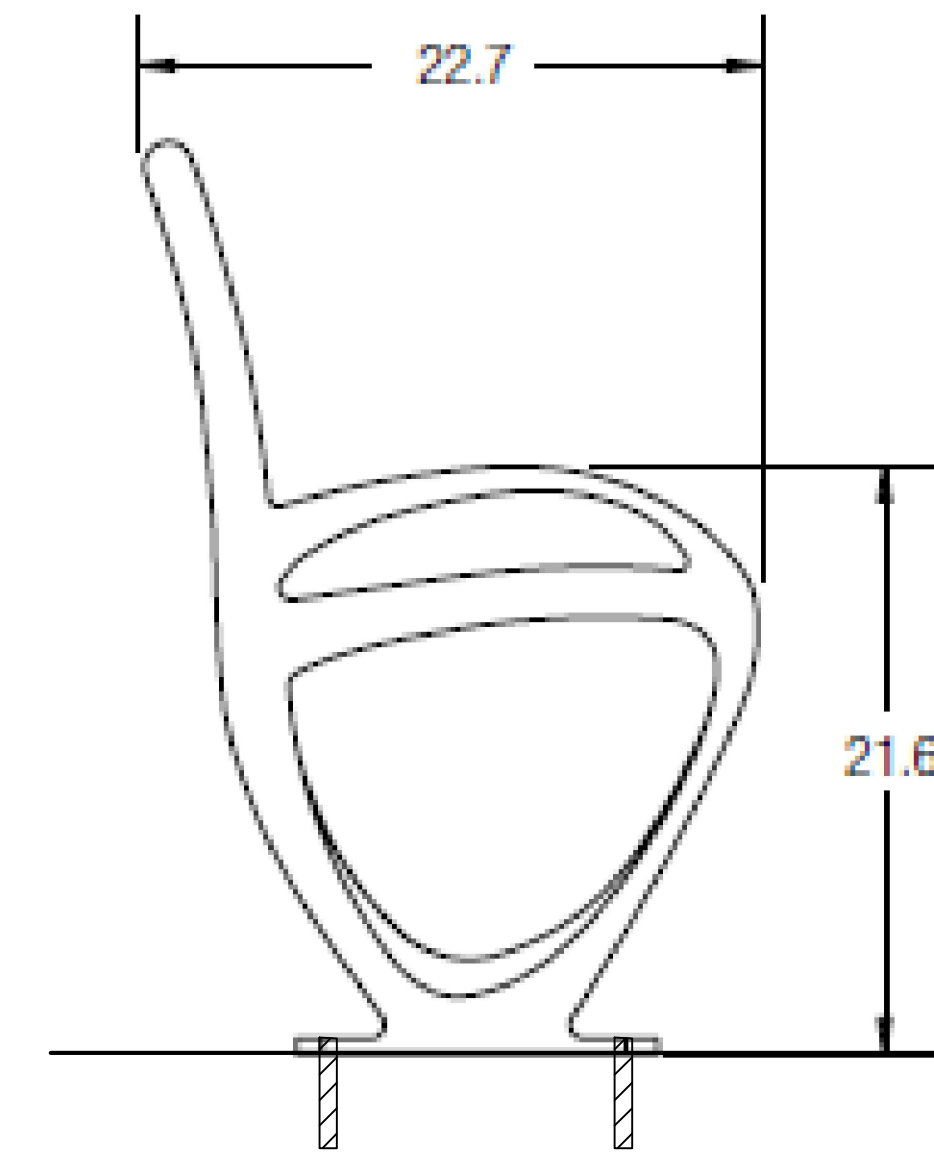
**3 TYPICAL BIO-BASIN SECTION**  
L-02 SCALE: NONE



NOTES:

- 1) BENCH SHALL BE 36 GALLON CORDIA LITTER RECEPTACLE HARDWOOD INSERTS AND RAIN COVER, MODEL #SLCOR-136J AS MANUFACTURED BY FORMS+SURFACES 800-451-0410.
- 2) RAIN COVER, LID AND BODY FINISH SHALL CREAM TEXTURE POWDERCOAT TO MATCH EXISTING RESEPTACLES.
- 3) MOUNT TO SIDEWALK WITH MANUFACTURER'S ANCHORS.

**5 LITTER RECEPTACLE**  
L-02 SCALE: NONE



NOTES:

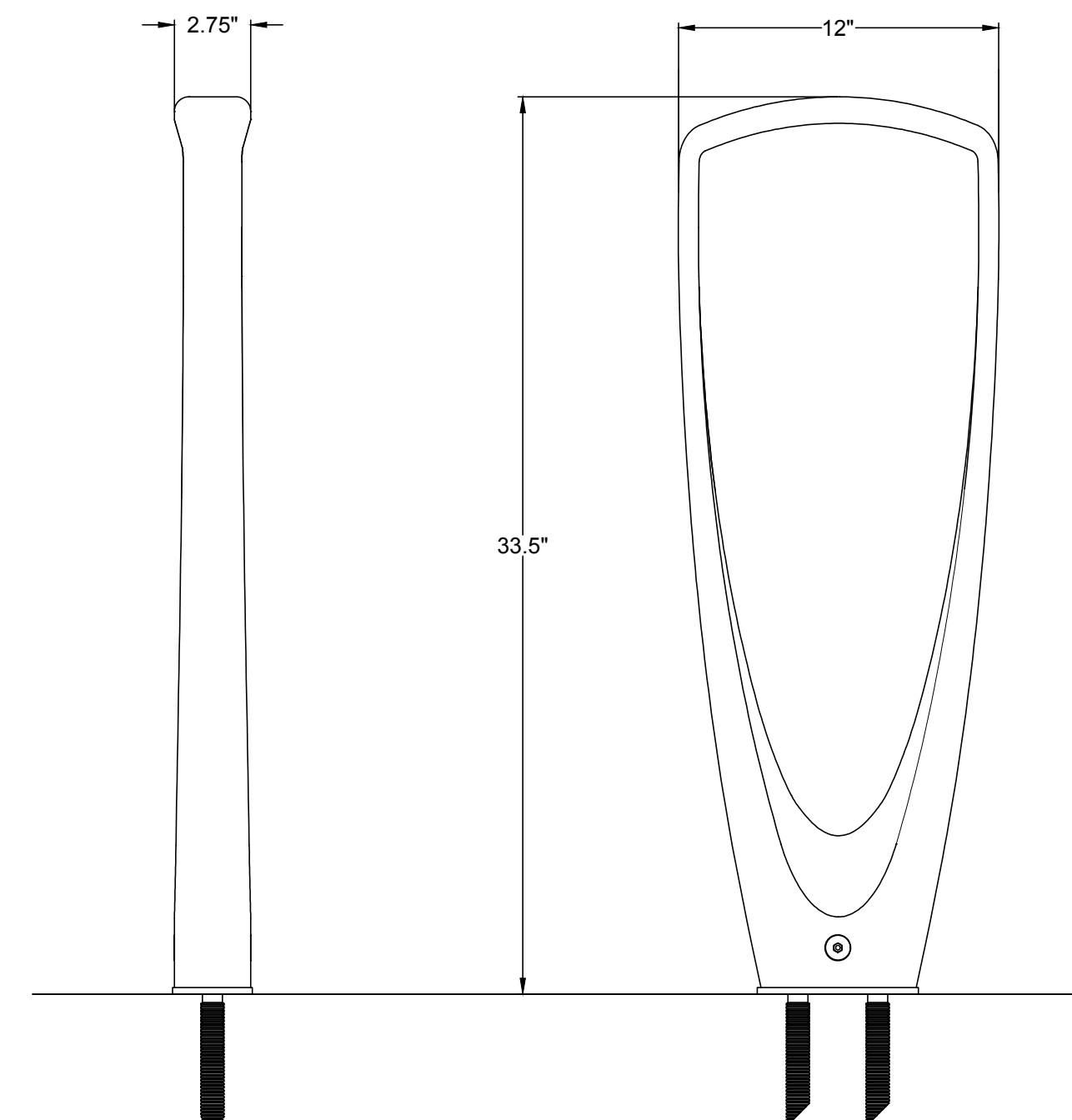
- 1) BENCH SHALL BE 6" BACKED TRIO BENCH WITH ALUMINUM FRAME AND HARDWOOD SLATS, MODEL #SBTRO-72BW AS MANUFACTURED BY FORMS+SURFACES 800-451-0410.
- 2) BODY FINISH SHALL BE CREAM TEXTURE POWDERCOAT TO MATCH EXISTING BENCHES.
- 3) MOUNT TO SIDEWALK WITH MANUFACTURER'S ANCHORS.

**2 BENCH**  
L-02 SCALE: NONE



BOTTOM VIEW

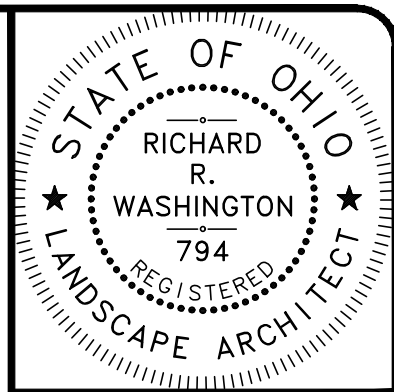
TOP VIEW



NOTES:

- 1) BENCH SHALL BE CAST ALUMINUM TRIO BIKE RACK, MODEL #SKTRO, AS MANUFACTURED BY FORMS+SURFACES 800-451-0410.
- 2) FRAME FINISH SHALL BE CREAM TEXTURE POWDERCOAT TO MATCH EXISTING BIKE RACK.
- 3) MOUNT TO SIDEWALK WITH MANUFACTURER'S ANCHORS.

**1 BIKE RACK**  
L-02 SCALE: NONE



Richard Washington, License #794  
Expiration Date 12/31/20



DATE	REVISION	NO	CD	ISSUED FOR:	ISSUE DATE:	SCALE:	DESIGNED BY:	DRAWN BY:	CHECKED BY:
			5/30/19	AS SHOWN	RS	RS	CC		

**LAKELAND TRANSFER CENTER**  
**LAKELAND COMMUNITY COLLEGE**  
7601 CLOCKTOWER DR., KIRTLAND, OH 44094

**LANDSCAPE DETAILS**

PROJECT NO.	<b>18050002</b>
DISCIPLINE	<b>LANDSCAPE</b>
SHEET NAME	<b>L-02</b>
SHEET	<b>27</b>
OF	<b>55</b>