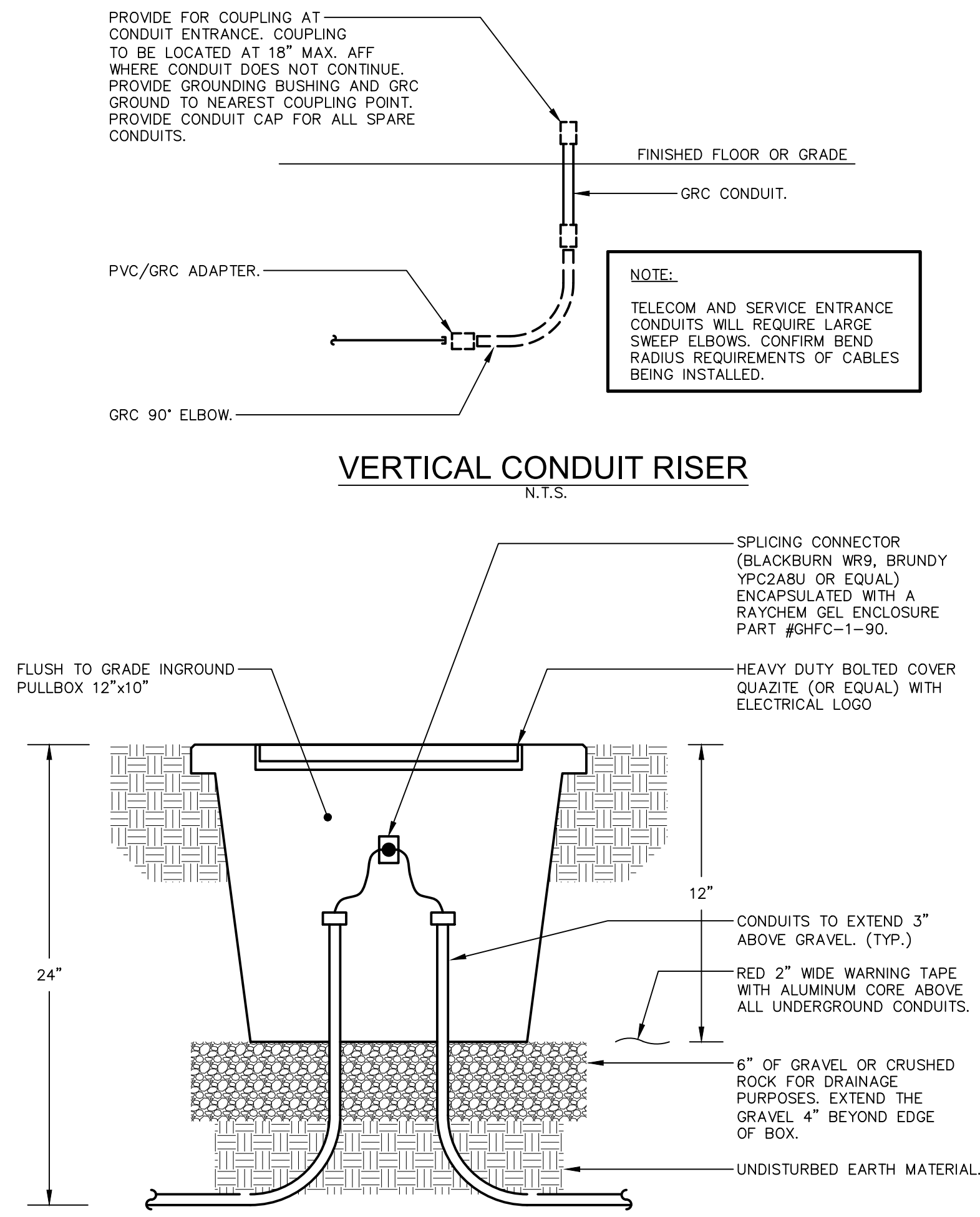


LIGHT POLE GROUNDING DETAIL
N.T.S.



IN-GROUND HAND HOLE INSTALLATION DETAIL
N.T.S.

LIGHTING FIXTURE SCHEDULE				
SYMBOL	CATALOG NO.	DESCRIPTION	MOUNTING	LAMP(S)
A1	EPH-LS-08-###-B LK-57-70-##-C04 EPH-LS-###-BLK- LV-NC-LY	EPHESUS: 20.36"x13.76"x24.39" LED SPORTS LIGHT FIXTURE WITH BLACK FINISH, 5700K COLOR TEMPERATURE, 70 CRI, AND 240V LED DRIVER. REFER TO SPECIFICATIONS FOR PRODUCT AND PERFORMANCE REQUIREMENTS. LIGHTING OPTIC AND OUTPUT CHARACTERISTICS AND NUMBER OF FIXTURES TO BE DETERMINED BY MANUFACTURER BASED ON PHOTOMETRIC CALCULATIONS. CONTRACTOR TO PROVIDE ALL CROSS ARMS, MOUNTING BRACKETS, ETC. FOR A COMPLETE ASSEMBLY. ## IN CATALOG NUMBER INDICATES CHARACTERISTICS THAT MAY VARY BETWEEN FIXTURES.	EXISTING POLE	INTEGRAL LED
ENGINEER APPROVED EQUIVALENT FIXTURES BY THE FOLLOWING MANUFACTURERS ARE ACCEPTABLE:				
SYMBOL	MANUFACTURER			
A1	AS SPECIFIED TO MATCH EXISTING			

ABBREVIATION LEGEND	
SYMBOL	DESCRIPTION
AFG	ABOVE FINISHED GRADE
EC	ELECTRICAL CONTRACTOR
EMT	GALVANIZED ELECTRIC METALLIC TUBING (THINWALL), UL LISTED
GFI	GROUND FAULT INTERRUPTER
PAN	PANELBOARD
PVC	CARLON PLASTIC CONDUIT, HEAVY WALL TYPE, POLYVINYL CHLORIDE, UL LISTED, SCHEDULE 40 UNLESS NOTED OTHERWISE.
"X"	SUBSCRIPT "X" BY SYMBOL INDICATES EXISTING ITEM TO REMAIN.

GENERAL LEGEND	
SYMBOL	DESCRIPTION
\$ Ⓜ	ALL ITEMS SHOWN DASHED ON DEMOLITION PLANS TO BE REMOVED (UNLESS OTHERWISE NOTED).

LIGHTS/SWITCHES LEGEND	
SYMBOL	DESCRIPTION
Ⓜ ○ □	LED LIGHTING FIXTURES COMPLETE WITH LAMPS. REFER TO LIGHTING FIXTURE SCHEDULE FOR DETAILS.

- ELECTRICAL GENERAL NOTES**
- THE GENERAL NOTES LISTED HERE APPLY TO ALL ELECTRICAL DRAWINGS IN ADDITION TO ANY ADDITIONAL DRAWING NOTES ON THE INDIVIDUAL DRAWINGS.
 - DARK, DASHED ITEMS INDICATE ELECTRICAL EQUIPMENT, DEVICES, AND/OR LIGHTING TO BE REMOVED UNDER THE DEMOLITION PHASE OF PROJECT.
 - SEE SPECIFICATIONS FOR SALVAGE RIGHTS TO ANY EQUIPMENT OR MATERIALS BEING REMOVED.
 - REMOVE ALL HANGERS AND SUPPORTS SERVING CONDUIT AND WIRE TO BE DEMOLISHED. PROVIDE AND/OR ADJUST EXISTING HANGERS TO SUPPORT ANY REMAINING CONDUIT AND WIRE, OR EQUIPMENT ADJACENT, TO REMAIN.
 - REMOVE ALL EXISTING WIRE FROM CONDUITS TO BE ABANDONED. REFER TO SPECIFICATIONS FOR REQUIREMENTS REGARDING ABANDONED CONDUITS.
 - SEE CODED NOTES ON INDIVIDUAL DRAWING SHEETS FOR SPECIFIC INSTRUCTIONAL NOTES.
 - FIELD VERIFY EXISTING CONDITIONS.
 - THE ELECTRICAL DESIGN DRAWINGS ARE DIAGRAMMATIC AND ARE NOT INTENDED TO SHOW EXACT LOCATION OF EQUIPMENT, LIGHTING, AND DEVICES UNLESS DIMENSIONS ARE GIVEN FOR CLEARANCES, ETC. LIGHTING, DEVICES AND ELECTRICAL EQUIPMENT ARE TO BE INSTALLED ALONG THE GENERAL PLANS SHOWN ON THE DRAWINGS, BUT KEEPING IN MIND ACTUAL BUILDING CONDITIONS WHICH MUST BE CONFIRMED WITH IN THE ACTUAL WORK AREA. CONTRACTORS, IN THEIR BIDS, ARE REQUIRED TO INCLUDE ALL LABOR AND MATERIALS AND OTHER RELATED WORK NECESSARY TO PROVIDE MINOR OFFSETS IN ELECTRICAL INSTALLATION TO AVOID CONFLICT WITH OTHER WORK ON THIS PROJECT, OR AS REQUIRED IN ORDER TO OBTAIN MAXIMUM HEAD ROOM OR EQUIPMENT ACCESS IN SPACES.
 - AN ATTEMPT HAS BEEN MADE TO SHOW ALL ELECTRICAL ITEMS TO REMAIN OR BE REMOVED. EC SHALL FIELD VERIFY EXISTING CONDITIONS AND REMOVE AND/OR RELOCATE ANY ITEM WHICH INTERFERES WITH NEW CONSTRUCTION.

SUMMARY OF ALTERNATES

BASE BID: REPLACE SPORTS LIGHT FIXTURES SHOWN ON EXISTING POLES AND PROVIDE NEW POLE AND FIXTURES WHERE SHOWN FOR FIELDS 6 AND 7.

ALTERNATE 1: REPLACE SPORTS LIGHT FIXTURES SHOWN ON EXISTING POLES FOR FIELD 1.

PHASING NOTE

CONTRACTOR TO PHASE WORK SUCH THAT ONLY (1) FIELD IS WITHOUT LIGHTS AT ANY TIME. COMPLETE ALL WORK ON A SINGLE FIELD PRIOR TO BEGINNING WORK ON THE NEXT. PLAN WORK IN A MANNER TO PROVIDE MINIMUM DOWNTIME OF LIGHTING SYSTEMS. SCHEDULE AND COORDINATE ALL WORK WITH CITY OF NORTH ROYALTON RECREATION DIRECTOR JASON SWIM (440)237-5646

**SCHEESER
BUCKLEY
MAYFIELD**

1540 CORPORATE WOODS PARKWAY
UNIONTOWN, OH 44685
330-526-2700
sbmce.com

3/17/22
DATE

**YORK RD. NORTH ROYALTON, OHIO
BASEBALL FIELD LIGHTING
UPGRADE PHASE 3**

REVISIONS:

DATE: 3/17/22
DRAWN BY: G.W.J.
CHECKED BY: T.M.M.
JOB NO.: 22005

**ELECTRICAL
DETAILS**

Drawing = C:\Users\Glervis\AppData\Local\Temp\AcPublish_16488\22005_E1 - NOTES AND DETAILS.dwg Tab = E1 Username = glervis Date = Mar 15, 2022 - 9:51am

York Rd Ballfields



PLAN NOTES

A. CONTRACTOR TO PERFORM PRE BID SITE VISIT TO FIELD VERIFY ALL MEASUREMENTS. SCALED PLANS ARE INTENDED TO BE APPROXIMATE ONLY AND SHOULD NOT BE RELIED ON FOR BIDDING OR CONSTRUCTION PURPOSES.

B. CONTRACTOR IS RESPONSIBLE FOR ANY GROUND DAMAGE CAUSED BY THIS WORK. REPAIR GROUND TO PREVIOUS CONDITIONS TO THE SATISFACTION OF THE OWNER. PROVIDE BEFORE AND AFTER PHOTOS OF SITE TO VERIFY CAUSE OF ANY DAMAGE.

CODED NOTES

- EXISTING UTILITY PAD MOUNTED TRANSFORMER TO REMAIN.
- LOCATION OF ELECTRICAL DISTRIBUTION TO REMAIN.
- UNDER BASE BID: REMOVE EXISTING FIELD 6 AND 7 LIGHT FIXTURES AND ASSOCIATED SUPPORT STRUCTURE. EXISTING POLE TO REMAIN. REMOVE WIRING AND CONDUIT BACK TO NEAREST JUNCTION BOX TO REMAIN AND MAINTAIN FOR REUSE UNDER NEW WORK. FIELD VERIFY EXACT LOCATION.
- UNDER ALTERNATE 1: REMOVE EXISTING FIELD 1 LIGHT FIXTURES AND ASSOCIATED SUPPORT STRUCTURE. EXISTING POLE TO REMAIN. REMOVE WIRING AND CONDUIT BACK TO NEAREST JUNCTION BOX TO REMAIN AND MAINTAIN FOR REUSE UNDER NEW WORK. FIELD VERIFY EXACT LOCATION.
- EXISTING WALKWAY LIGHTS TO REMAIN.
- EXISTING POLE AND SPORTS LIGHTING FIXTURE TO REMAIN.
- EXISTING METER AND CONTROL PANELS FOR FIELD LIGHTS TO REMAIN.
- EXISTING LIGHTING CONTROL PANELS TO REMAIN.
- UNDER BASE BID: EXISTING LIGHT POLE AND LIGHTING FIXTURES TO BE REMOVED. REMOVE CONDUIT AND WIRE AS NECESSARY TO ALLOW FOR DEMOLITION AND MAINTAIN WIRING FOR REUSE UNDER NEW WORK.



**SCHEESER
BUCKLEY
MAYFIELD**

1540 CORPORATE WOODS PARKWAY
UNIONTOWN, OH 44685
330-526-2700
sbmce.com

STATE OF OHIO
JAMES E. ECKMAN
E-52748
PROFESSIONAL ENGINEER

J. E. A. 3/17/22
SIGNATURE DATE

YORK RD. NORTH ROYALTON, OHIO BASEBALL FIELD LIGHTING UPGRADE PHASE 3

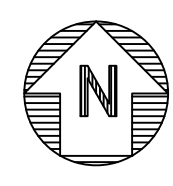
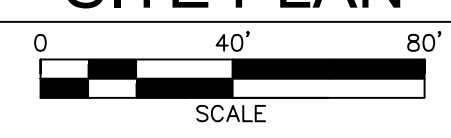
REVISIONS:

DATE: 3/17/22
DRAWN BY: G.W.J.
CHECKED BY: T.M.M.
JOB NO.: 22005

DEMOLITION - SITE
PLAN - ELECTRICAL

E2

DEMOLITION - SITE PLAN - ELECTRICAL



Drawing = M:\2022\22005\Design\Elec\22005_E2 - DEMO_OVERALL SITE PLAN - ELEC.dwg Tab = E2 Username = gjervis Date = Mar 15, 2022 - 9:51am

York Rd Ballfields



PLAN NOTES

A. CONTRACTOR TO PERFORM PRE BID SITE VISIT TO FIELD VERIFY ALL MEASUREMENTS. SCALED PLANS ARE INTENDED TO BE APPROXIMATE ONLY AND SHOULD NOT BE RELIED ON FOR BIDDING OR CONSTRUCTION PURPOSES.

B. CONTRACTOR IS RESPONSIBLE FOR ANY GROUND DAMAGE CAUSED BY THIS WORK. REPAIR GROUND TO PREVIOUS CONDITIONS TO THE SATISFACTION OF THE OWNER. PROVIDE BEFORE AND AFTER PHOTOS OF SITE TO VERIFY CAUSE OF ANY DAMAGE.

C. ALL BALL FIELD LIGHTING TO BE OF THE SAME MANUFACTURER.

D. PHOTOMETRIC CALCULATIONS PERFORMED ARE TO BE FOR ENTIRE FIELD TAKING INTO ACCOUNT LIGHTS INSTALLED UNDER PREVIOUS PHASES, NOT JUST FIXTURES TO BE REPLACED. REFER TO SPECIFICATIONS FOR ADDITIONAL INFORMATION.

E. EXACT QUANTITIES OF LIGHT FIXTURES NECESSARY TO BE DETERMINED BASED ON PHOTOMETRIC CALCULATIONS PERFORMED BY MANUFACTURER. REFER TO SPECIFICATIONS FOR ADDITIONAL INFORMATION. CONTACT ANDY PORTS AT E LIGHTING AND CONTROLS (216)741-4545

F. FIELD 1 LIGHT POLES EXTEND 50' FROM GRADE. FIELDS 6 AND 7 EXTEND 40' FROM GRADE.

CODED NOTES

- EXISTING UTILITY PAD MOUNTED TRANSFORMER TO REMAIN.
- LOCATION OF ELECTRICAL DISTRIBUTION TO REMAIN.
- UNDER BASE BID: PROVIDE NEW FIELD 6 AND 7 LIGHT FIXTURES AND ASSOCIATED SUPPORT STRUCTURE ON EXISTING POLE. SPLICE AND EXTEND EXISTING WIRING AND CONDUIT TO NEW FIXTURES AS NECESSARY.
- UNDER ALTERNATE 1: PROVIDE NEW FIELD 1 LIGHT FIXTURES AND ASSOCIATED SUPPORT STRUCTURE ON EXISTING POLE. SPLICE AND EXTEND EXISTING WIRING AND CONDUIT TO NEW FIXTURES AS NECESSARY.
- EXISTING WALKWAY LIGHTS TO REMAIN.
- EXISTING POLE AND SPORTS LIGHTING FIXTURE TO REMAIN.
- EXISTING METER AND CONTROL PANELS FOR FIELD LIGHTS TO REMAIN.
- EXISTING LIGHTING CONTROL PANELS TO REMAIN.
- UNDER BASE BID: PROVIDE NEW INGROUND HAND HOLE TO INTERCEPT EXISTING WIRING AND CONDUIT. SPLICE AND EXTEND WIRING AND CONDUIT FROM HAND HOLE AND UP NEW POLE TO SERVE LIGHT FIXTURES. REFER TO DETAILS FOR ADDITIONAL INFORMATION.
- UNDER BASE BID: PROVIDE NEW 40' LIGHT POLE AND FIXTURE HEADS.
- UNDER ALTERNATE 2: EXISTING POLES ARE LEANING AND ARE TO BE STRAIGHTEN UP. CONTRACTOR SHALL HOLD POLE COMPLETELY TO ALLOW DIRT AROUND THE POLE TO BE REMOVED AND REPLACE WITH CONCRETE (3,000 PSI MINIMUM). REMOVE DIRT TO THE BOTTOM OF THE POLE AND WITHIN A 36" DIAMETER CIRCLE. CLEAN DIRT OFF POLE. STRAIGHTEN POLE IN ALL DIRECTIONS, AND POUR CONCRETE IN OPENING. LEAVE CONCRETE WITH TOP AT 4" BELOW ADJACENT GRADE AND BACKFILL WITH 4" OF TOPSOIL. SEED AND MULCH DISTURBED AREAS.



SCHEESER BUCKLEY MAYFIELD
 1540 CORPORATE WOODS PARKWAY
 UNIONTOWN, OH 44685
 330-526-2700
 sbmce.com

STATE OF OHIO
 JAMES E. ECKMAN
 E-52748
 PROFESSIONAL ENGINEER
 J.E.A. 3/17/22
 SIGNATURE DATE

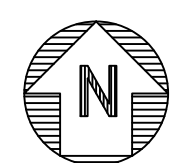
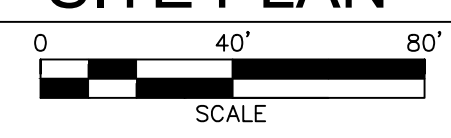
YORK RD. NORTH ROYALTON, OHIO BASEBALL FIELD LIGHTING UPGRADE PHASE 3

REVISIONS:

DATE: 3/17/22
 DRAWN BY: G.W.J.
 CHECKED BY: T.M.M.
 JOB NO.: 22005

DEMOLITION - SITE
 PLAN - ELECTRICAL

NEW WORK - SITE PLAN - ELECTRICAL



E3

Drawing = M:\2022\22005\Design\Elec\22005_E3 - NEW_OVERALL SITE PLAN - ELEC.dwg Tab = E3 Username = gjervis Date = Mar 15, 2022 - 9:51am