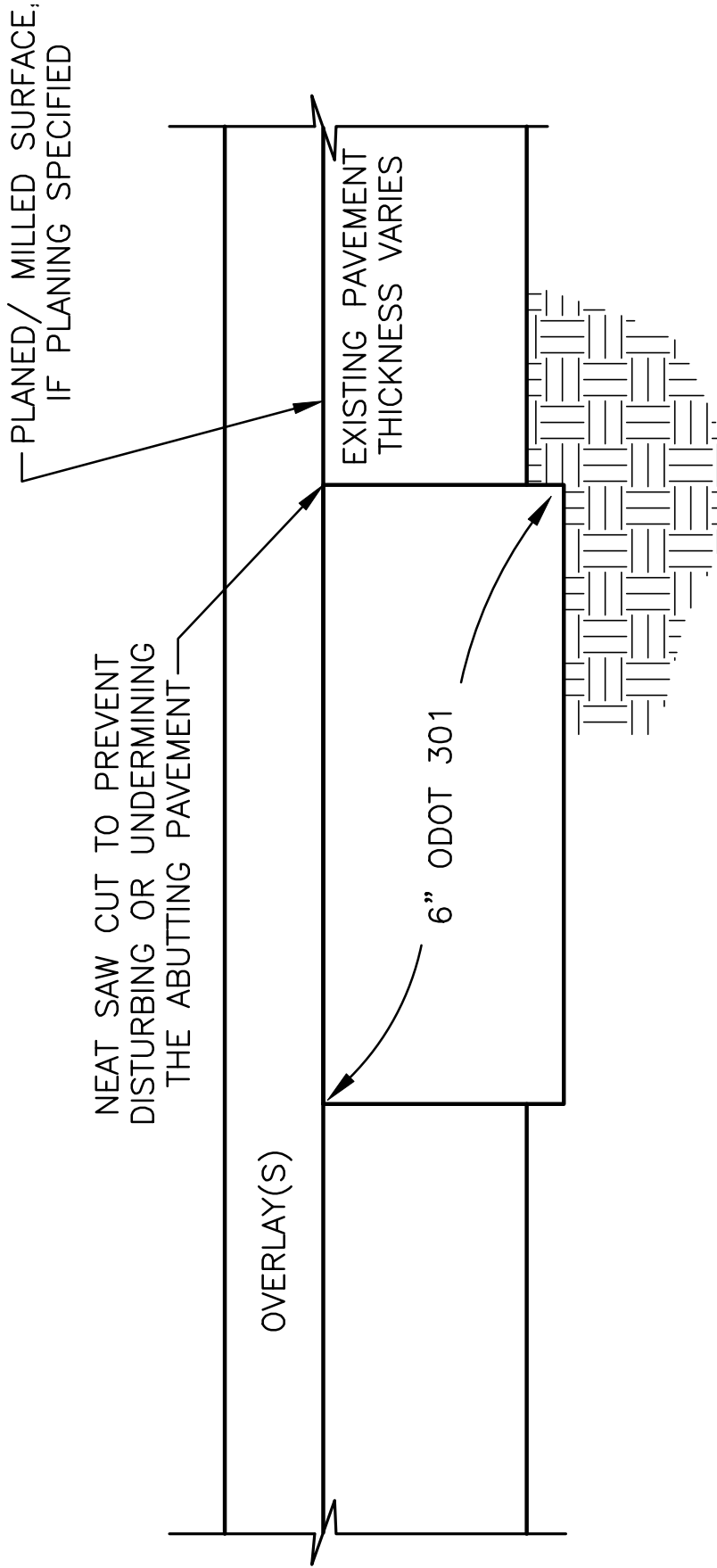
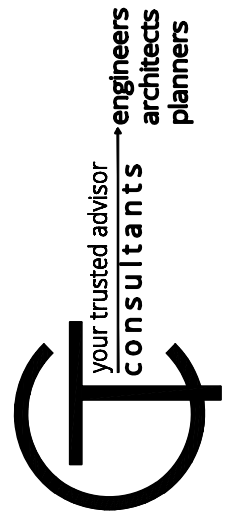

SECTION 9
DETAILED DRAWINGS

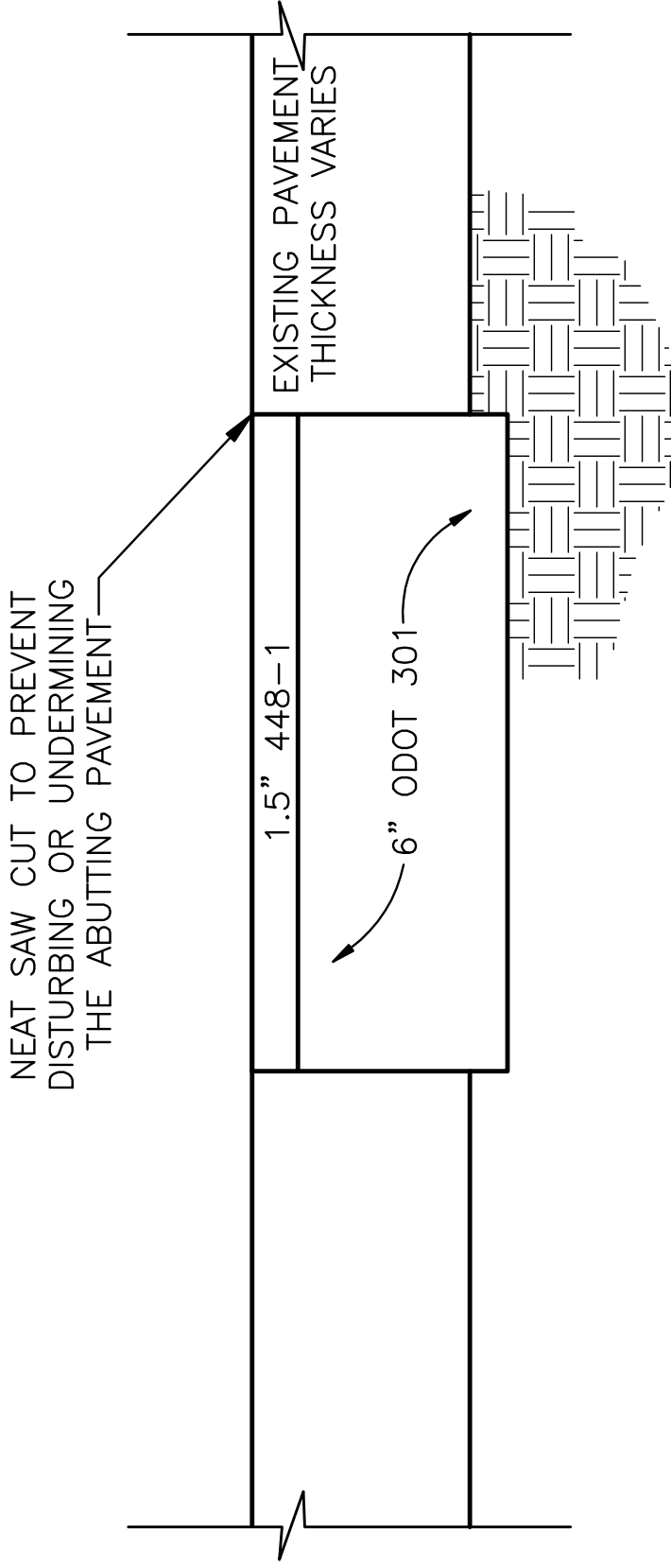


DD.2

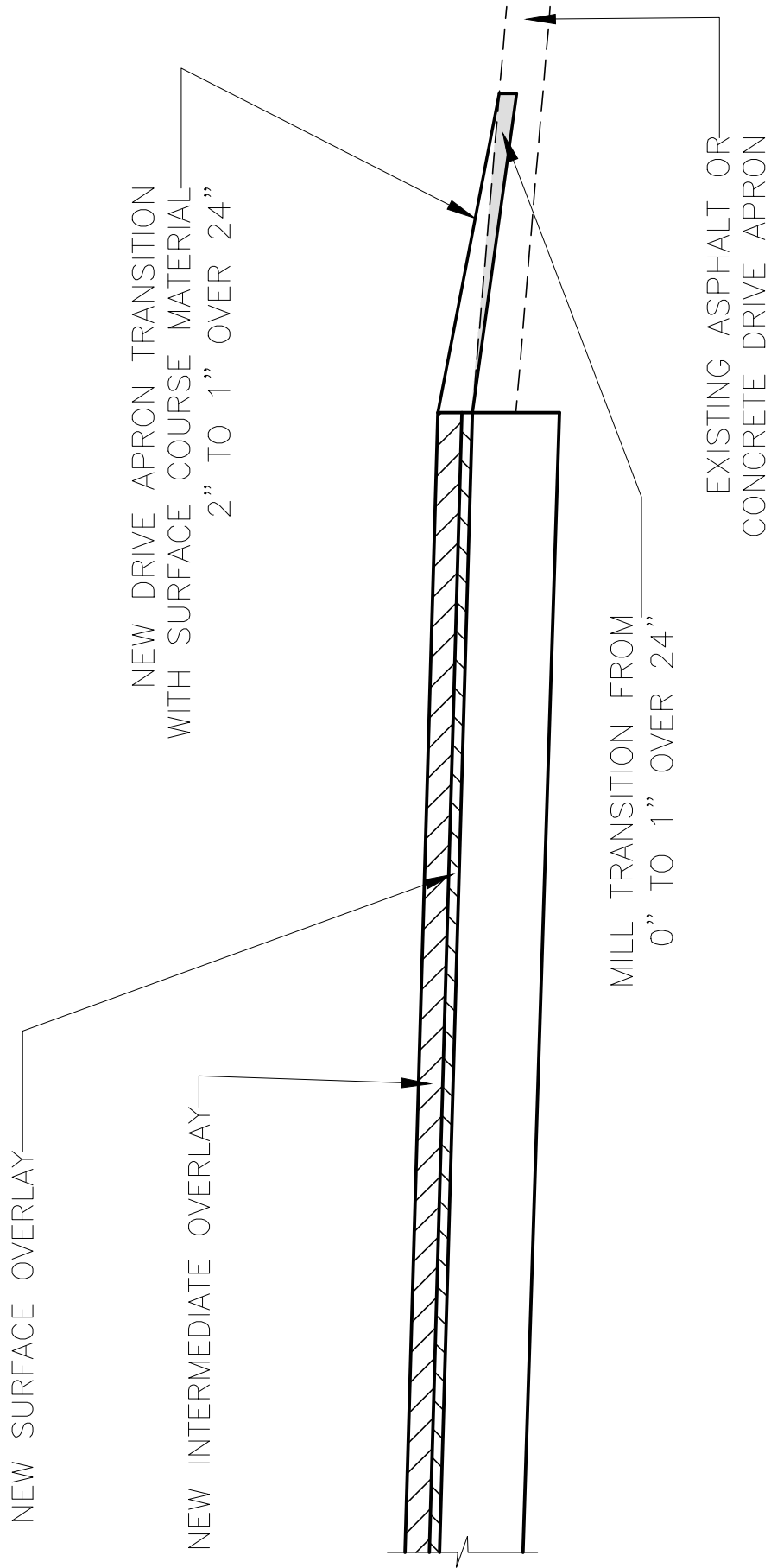


253 PAVEMENT REPAIR - 6 INCH

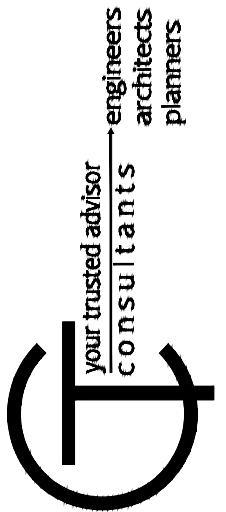
NTS



DD.3

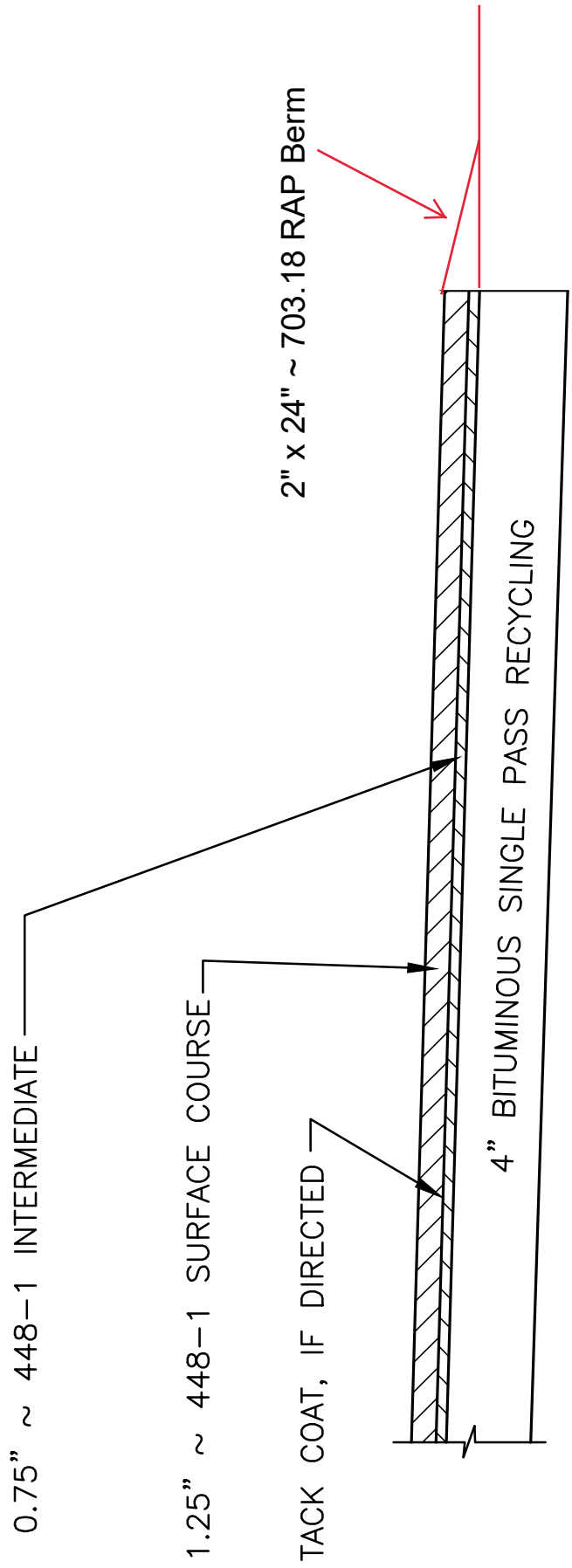


DD.4



DRIVE APRON TRANSITIONS

NTS



DD.5

Southwyck Drive

**TYPICAL CROSS SECTION
EXISTING ASPHALT STREETS
4" BITUMINOUS SINGLE PASS RECYCLING
- SURFACE & INTERMEDIATE**

NTS

