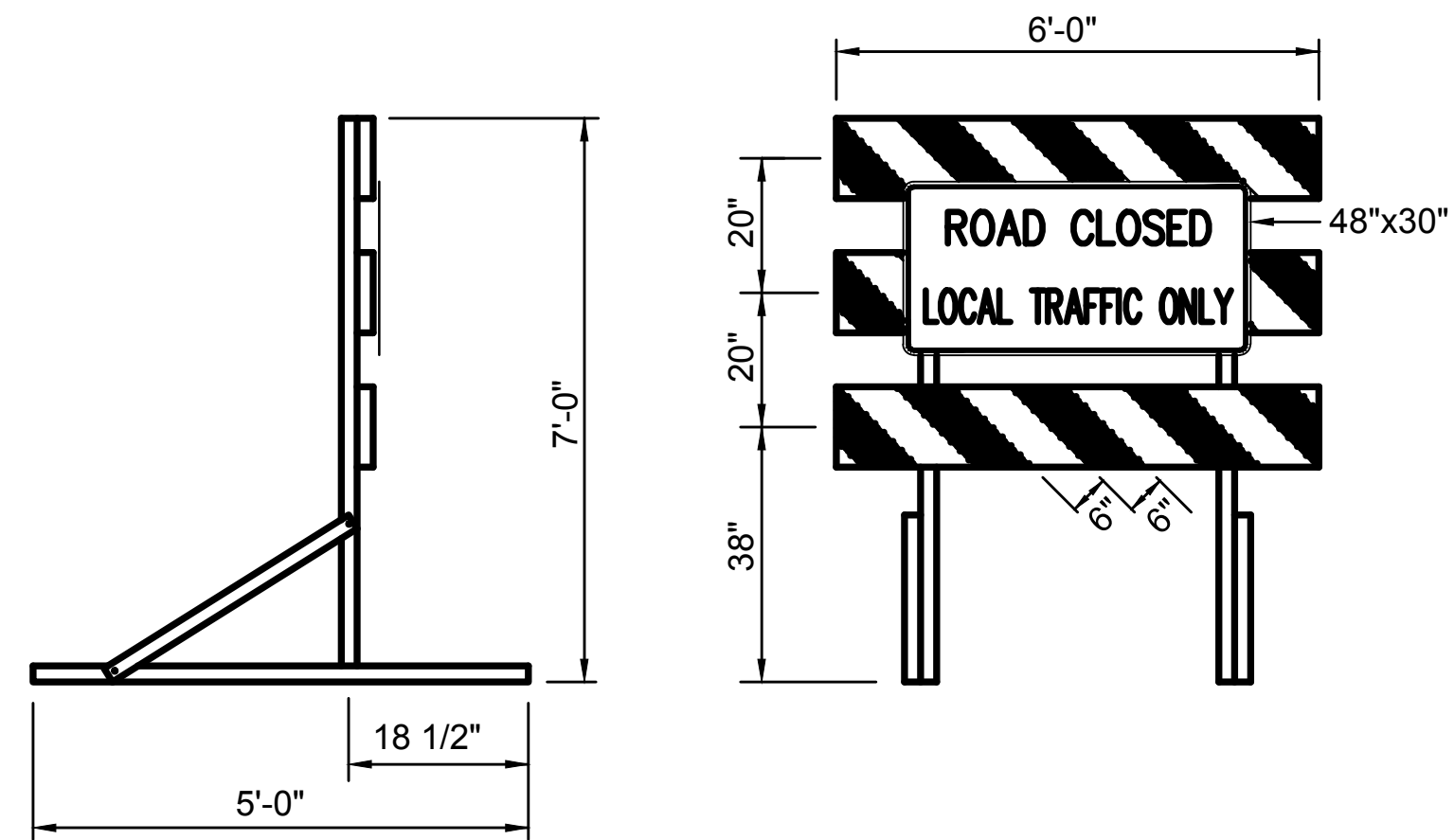


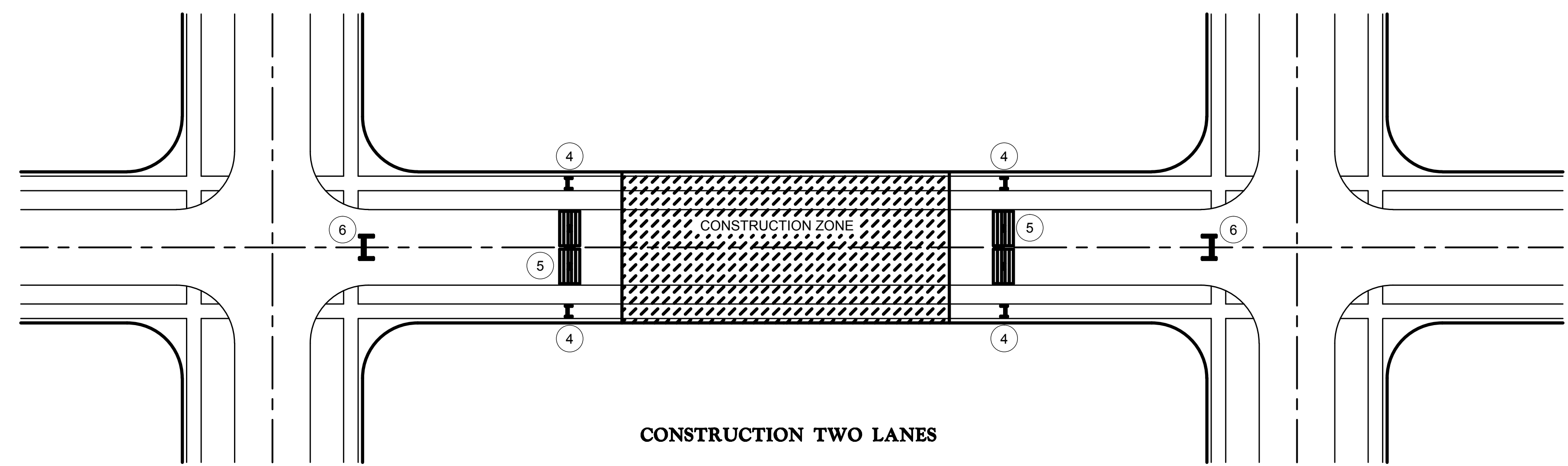
REV.	DESCRIPTION	DATE

PROJECT NO. 170415
 DISCIPLINE CIVIL
 SHEET NAME MT
 PERRY COUNTY
 LAKE COUNTY
 PERRY, OHIO
 MIDWEST MATERIALS SANITARY SEWAGE IMPROVEMENT
 MAINTENANCE OF TRAFFIC

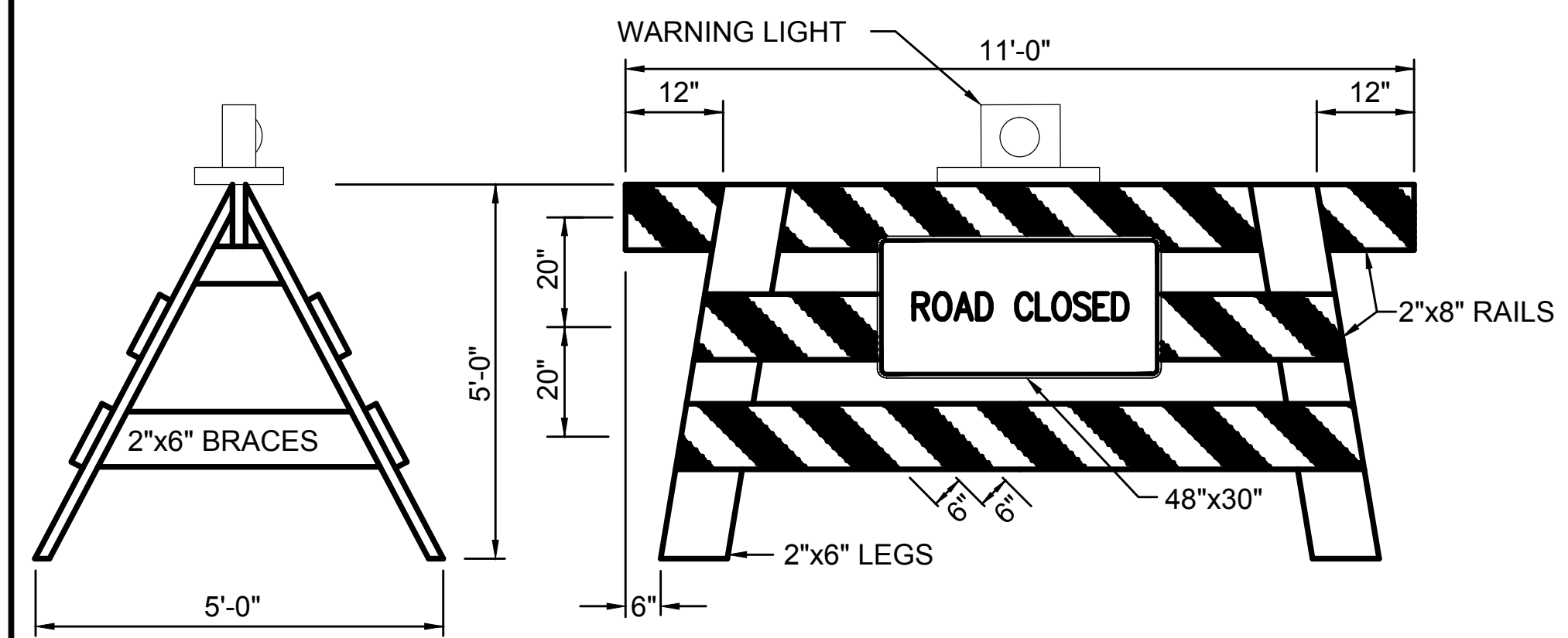
SHEET	OF
03	22



TYPE III PORTABLE CONSTRUCTION BARRICADE

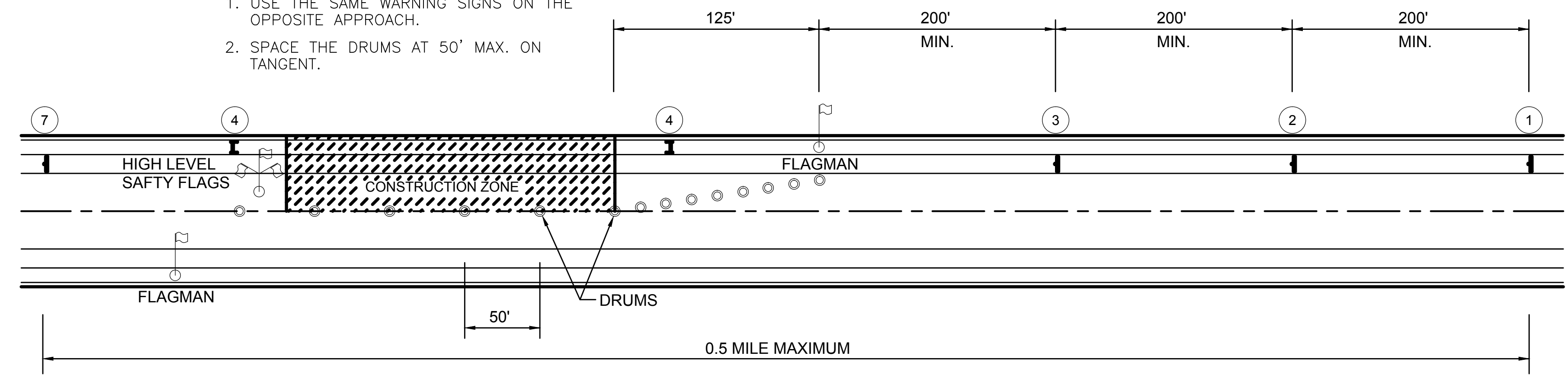


CONSTRUCTION TWO LANES



TYPE III DEMOUNTABLE CONSTRUCTION BARRICADE

- NOTES:
 1. USE THE SAME WARNING SIGNS ON THE OPPOSITE APPROACH.
 2. SPACE THE DRUMS AT 50' MAX. ON TANGENT.



CONSTRUCTION ONE LANE

- A. BARRICADES: BARRICADES SHALL BE CONSTRUCTED ACCORDING TO DETAILS SHOWN. WHEN THE ROAD IS CLOSED TO TRAFFIC, BARRICADES SHALL BE USED TO EFFECTIVELY CLOSE THE ENTIRE ROADWAY. THE ENDS OF THE BARRICADE SHALL BE LOCATED BY THE ENGINEER TO EFFECT THE DESIRED CLOSING OF THE ROADWAY.
- B. PAINTING AND REFLECTORIZATION: ALL RAILS OF THE BARRICADES AND GATES SHALL BE REFLECTORIZED WITH ORANGE AND WHITE REFLECTORIZED TYPE "G" SHEETING IN 6" WIDE ALTERNATE STRIPES WHICH SLOPE DOWNWARD TOWARD THE CENTERLINE OF THE ROAD AT AN ANGLE OF 45°. ALL THREE RAILS OF THE ROAD CLOSED BARRICADE SHALL BE STRIPED ON THE SIDE FACING TRAFFIC. ALL GATE RAILS SHALL BE STRIPED ON BOTH SIDES. ALL POSTS, BRACES, GATE-LEGS, AND UNSTRIPED RAILS SHALL BE PAINTED WHITE.
- C. TYPE "C" STEADY BURNING BARRICADE WARNING LIGHTS: EACH GATE SHALL BE EQUIPPED WITH A TYPE "C" STEADY BURNING BARRICADE WARNING LIGHT, CONSPICUOUSLY VISIBLE AT ALL DISTANCES UP TO 1000' UNDER NORMAL CONDITIONS BETWEEN SUNSET AND SUNRISE DURING THE PERIOD THE ROAD IS CLOSED.
- D. SIGNS: WHERE THE ROAD IS CLOSED TO TRAFFIC BY THE ERECTION OF BARRICADES, "ROAD CLOSED" SIGNS (R-75) SHALL BE MOUNTED ON THE BARRICADES AS SHOWN. WHEN TRAFFIC IS MAINTAINED, A "ROAD CONSTRUCTION AHEAD" SIGN (OW-128) SHALL BE USED ON THE RIGHT SHOULDER ON THE APPROACHES AT THE INTERSECTING STREET IN ADVANCE OF THE PROJECT. WHERE THE SIDEWALK IS CLOSED TO PEDESTRIAN TRAFFIC "SIDEWALK CLOSED" SIGNS SHALL BE ERECTED ACROSS THE WALK AT THE LOCATION SHOWN.

