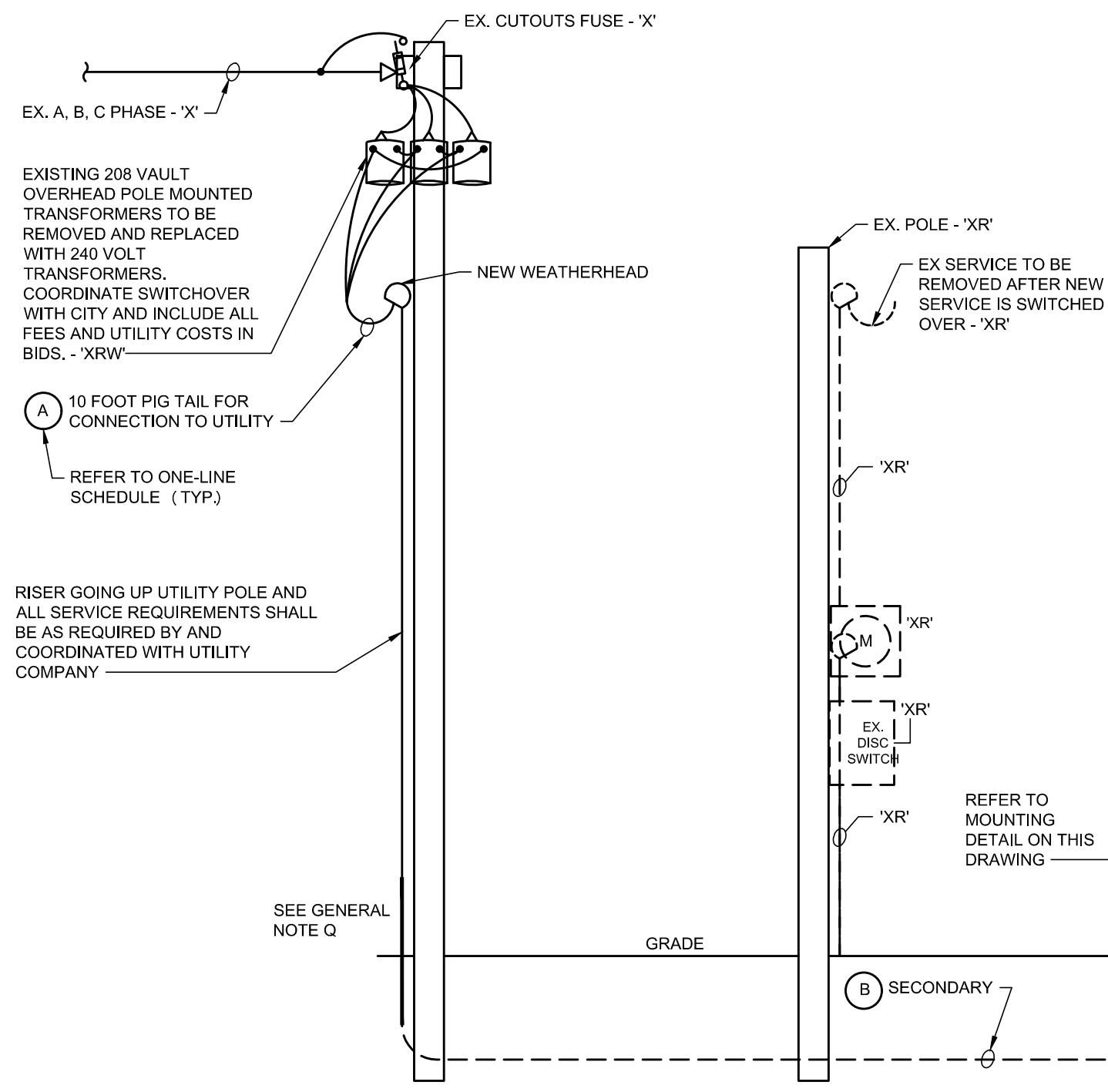
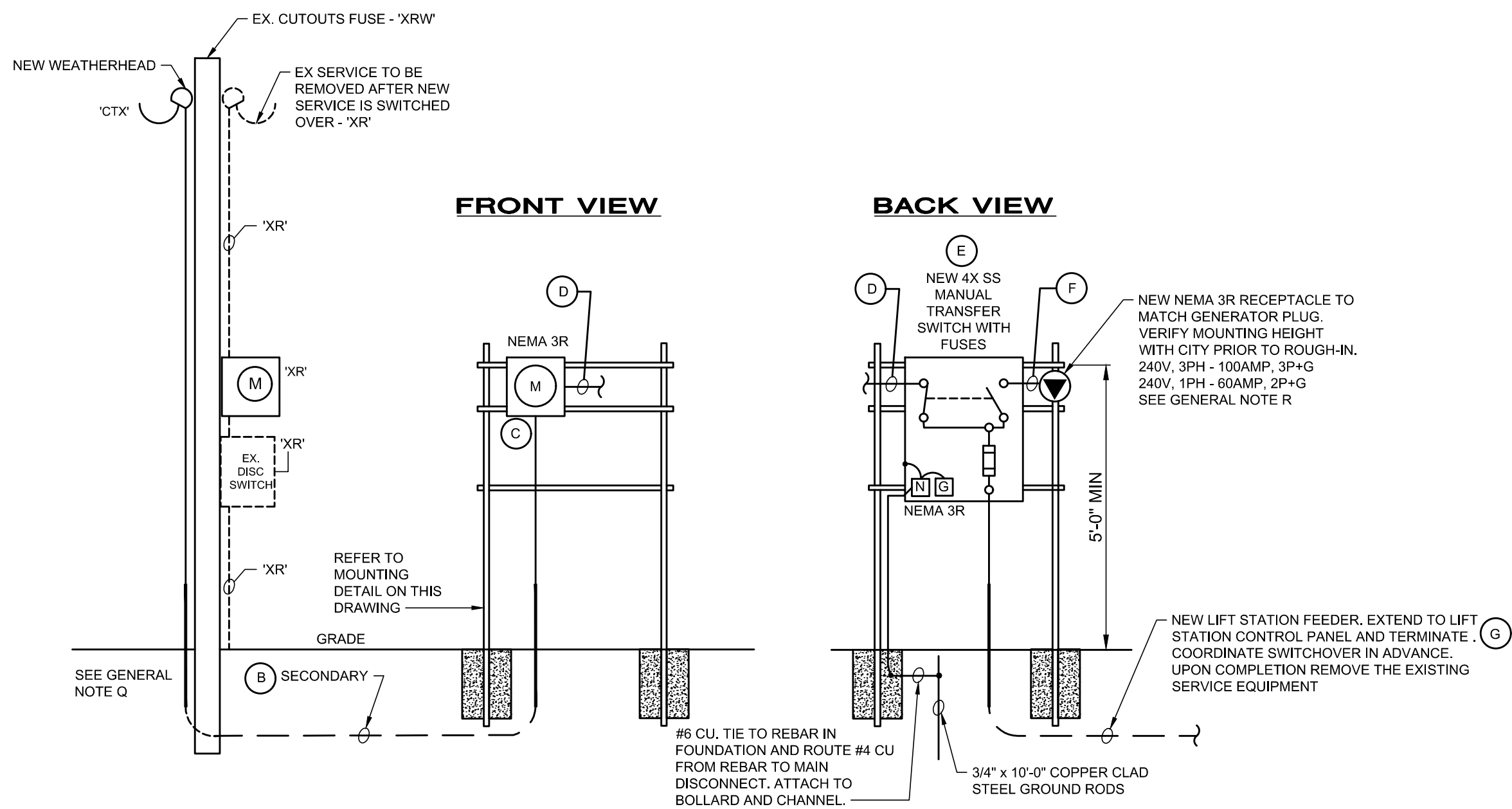


ONE-LINE SCHEDULE

LIFT STATION NAME	VOLTS/PHASE/HP	WIRE & CONDUIT SIZE	METER SOCKET RATING	WIRE & CONDUIT SIZE	SERVICE ENTRANCE RATED MANUAL TRANSFER SWITCH / FUSE	WIRE & CONDUIT SIZE	WIRE & CONDUIT SIZE	MIN CIRCUIT AMPS
BEAVER PIKE L.S.	240VOLTS /3PH/ 2 @ 5HP	(4)#2, 1 1/4"C	PER UTILITY CO.	(4)#6, 1"C	100 AMP / 40 AMP	(3)#8 + (1)#10 GND, 1"C	(3)#8 + (1)#10 GND, 1"C	34.2
PAYNE STREET L.S.	240VOLTS /1PH/ 2 @ 2HP	(3)#2, 1 1/4"C	PER UTILITY CO.	(3)#6, 1"C	100 AMP / 35 AMP	(3)#8 + (1)#10 GND, 1"C	(3)#8 + (1)#10 GND, 1"C	13.3
BURLINGTON RD. L.S.	240VOLTS /1PH/ 2 @ 2HP	(3)#2, 1 1/4"C	PER UTILITY CO.	(3)#6, 1"C	100 AMP / 35 AMP	(3)#8 + (1)#10 GND, 1"C	(3)#8 + (1)#10 GND, 1"C	13.3
FANNON L.S.	240VOLTS /1PH/ 2 @ 2HP	(3)#2, 1 1/4"C	PER UTILITY CO.	(3)#6, 1"C	100 AMP / 35 AMP	(3)#8 + (1)#10 GND, 1"C	(3)#8 + (1)#10 GND, 1"C	13.3
4 MILE L.S.	240VOLTS /3PH/ 2 @ 5HP	(4)#2, 1 1/4"C	PER UTILITY CO.	(4)#6, 1"C	100 AMP / 40 AMP	(3)#8 + (1)#10 GND, 1"C	(3)#8 + (1)#10 GND, 1"C	34.2
OAK HILL BANK L.S.	240VOLTS /3PH/ 2 @ 5HP	(4)#2, 1 1/4"C	PER UTILITY CO.	(4)#6, 1"C	100 AMP / 40 AMP	(3)#8 + (1)#10 GND, 1"C	(3)#8 + (1)#10 GND, 1"C	34.2
PLEASANT VIEW L.S.	240VOLTS /3PH/ 2 @ 3HP	(4)#2, 1 1/4"C	PER UTILITY CO.	(4)#6, 1"C	100 AMP / 30 AMP	(3)#8 + (1)#10 GND, 1"C	(3)#8 + (1)#10 GND, 1"C	21.6
FLORENCE AVE. L.S.	240VOLTS /3PH/ 2 @ 15HP	(4)#3, 1 1/4"C	PER UTILITY CO.	(4)#3/0, 2"C	200 AMP / 125 AMP	(3)#1 + (1)#6 GND, 1-1/2"C	(3)#1 + (1)#6 GND, 1-1/2"C	94.5
SOUTHVIEW SCHOOL L.S.	240VOLTS /3PH/ 2 @ 2.8HP	(4)#2, 1 1/4"C	PER UTILITY CO.	(4)#6, 1"C	100 AMP / 30 AMP	(3)#8 + (1)#10 GND, 1"C	(3)#8 + (1)#10 GND, 1"C	21.6



OAK HILL BANK LIFT STATION CONVERT EXISTING 208 VOLT, 3 PHASE SERVICE TO 240 VOLT, 3 PHASE ONE-LINE DIAGRAM
N.T.S.



LIFT STATION 240 VOLT, 3 PHASE AND SINGLE PHASE ONE-LINE DIAGRAM
N.T.S.

GENERAL DEMOLITION NOTES:

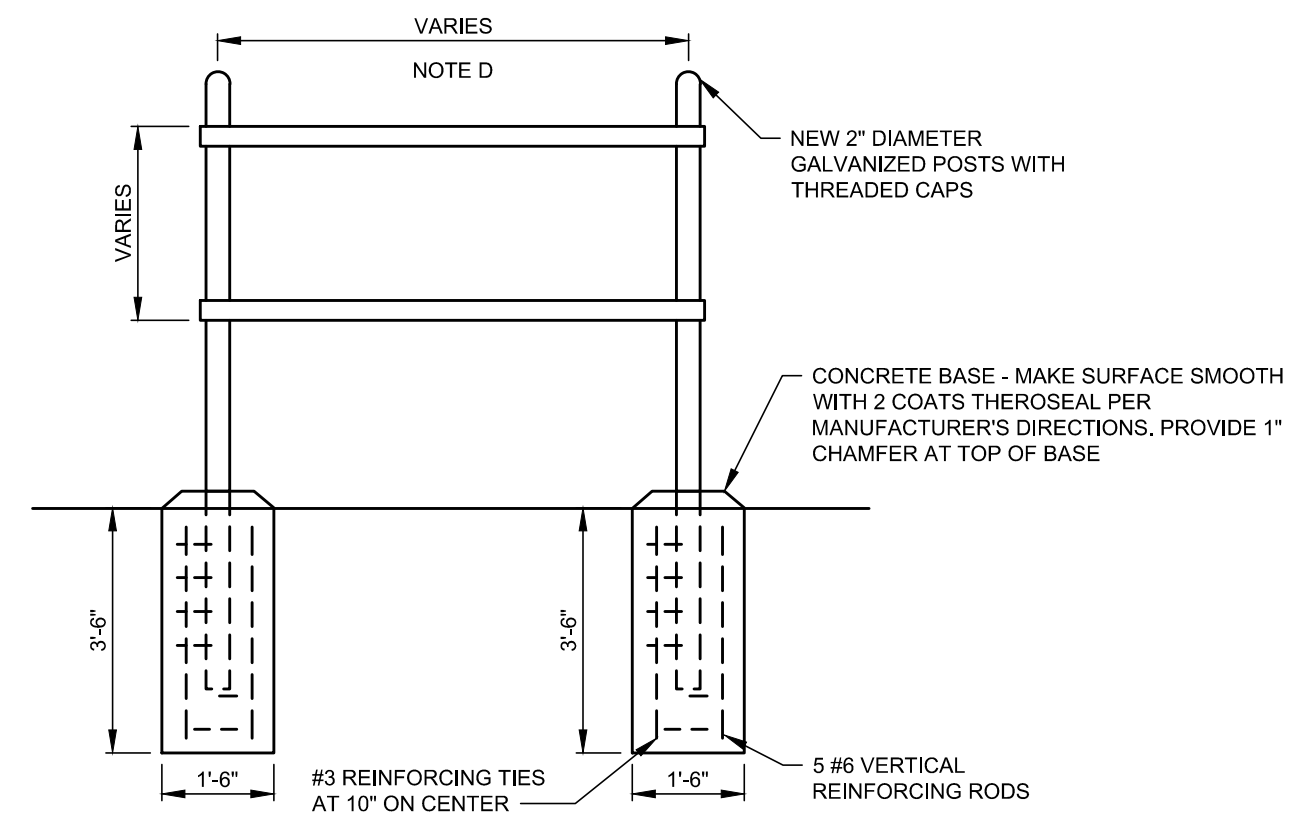
- THE ELECTRICAL CONTRACTOR SHALL PERFORM ALL DEMOLITION OF EXISTING ELECTRICAL SYSTEMS AS DIRECTED BY THE CONTRACT DOCUMENTS FOR THE PROJECT. REMOVE FROM SITE AND PROPERLY DISPOSE OF ALL MATERIAL AND DEBRIS FROM THIS WORK.
- IT IS THE ELECTRICAL CONTRACTORS RESPONSIBILITY TO FIELD VERIFY EXISTING ELECTRICAL CONDITIONS. ONCE THE EXISTING ELECTRICAL CONDITIONS ARE FIELD VERIFIED, THE ELECTRICAL CONTRACTOR SHALL REVIEW ALL CIVIL, STRUCTURAL, MECHANICAL, ELECTRICAL, ETC. CONTRACT DOCUMENTS FOR CONFLICTS THAT WILL REQUIRE REMOVAL, MODIFICATION OR RELOCATION OF EXISTING EQUIPMENT. THE ELECTRICAL CONTRACTOR SHALL INCLUDE IN HIS BIDS THE COST ASSOCIATED WITH THIS WORK.
- DISCONNECT EXISTING EQUIPMENT THAT IS TO BE REMOVED UNDER OTHER SECTIONS. REMOVE DATA AND PHONE CABLEING SYSTEM AS DIRECTED BY THE PROJECT MANAGER. NO CABLES SHALL BE REMOVED OR CUT WITHOUT APPROVAL FROM PROJECT MANAGER. ANY EXISTING CABLES TO BE REWORKED AS NEEDED.
- THE OWNER RESERVES THE RIGHT OF SALVAGE FOR ALL EXISTING ELECTRICAL EQUIPMENT PRIOR TO DEMOLITION. THE CONTRACTOR SHALL REVIEW ALL MATERIALS AND DELIVER TO THE OWNER THOSE REQUIRED IN THE EXISTING CONDITION. ALL OTHER MATERIAL SHALL BE REMOVED BY THIS CONTRACTOR.
- ALL CIRCUITS WHICH ARE REQUIRED TO REMAIN ACTIVE SHALL BE MAINTAINED OR REWORKED AS REQUIRED. ANY EXISTING CIRCUITS OR CABLEING SYSTEMS SERVING AREAS NOT AFFECTED BY DEMOLITION SHALL BE MAINTAINED. ALL CIRCUITS SHALL BE VERIFIED WITH EXISTING DRAWINGS AND ACTUAL FIELD CONDITIONS PRIOR TO BEGINNING DEMOLITION.

EXISTING DEVICE NOTES:

- X = INDICATES EXISTING DEVICE TO REMAIN. REWORK CIRCUITS AS REQUIRED TO ACCOMMODATE CONSTRUCTION. COORDINATE WITH CONSTRUCTION MANAGER.
- XR = INDICATE EXISTING DEVICE TO BE REMOVED, INCLUDING ALL ALL CONDUIT AND WIRING BACK TO PANEL OR POINT OF COMMON USAGE.
- XRL = INDICATES EXISTING DEVICE (IN ITS PRESENT LOCATION) TO BE REMOVED AND RELOCATED, REWIRE WITH LIKE KIND AND/OR AS SHOWN ON THE DRAWING.
- XRN = INDICATES EXISTING RELOCATED DEVICE IN ITS NEW LOCATION.
- XRW = INDICATES EXISTING DEVICE TO BE REWORKED. REWORK AS REQUIRED TO ACCOMMODATE CONSTRUCTION, AND/OR AS SHOWN ON DRAWINGS.
- CTX = INDICATES NEW DEVICE CONNECTED TO AN EXISTING CIRCUIT OR A NEW CIRCUIT CONNECTED TO AN EXISTING DEVICE. REWORK EXISTING CIRCUIT / DEVICE AS REQUIRED TO ACCOMMODATE NEW DEVICES AS SHOWN ON THE DRAWINGS.

GENERAL DETAIL NOTES:

- THE ELECTRICAL CONTRACTOR SHALL PROVIDE A HOT DIPPED GALVANIZED STEEL CHANNEL SYSTEM TO MOUNT SERVICE EQUIPMENT. ALL MOUNTING HARDWARE SHALL BE STAINLESS STEEL. CHANNEL SYSTEM SHALL BE AS MANUFACTURED BY B-LINE OR EQUAL. PAINT TO MATCH BOLLARDS. PROVIDE ADDITIONAL CHANNEL AS NEEDED TO PROVIDE A COMPLETE MOUNTING SYSTEM THAT IS PLUMB, LEVEL AND SQUARE.
- THE ELECTRICAL CONTRACTOR SHALL PROVIDE THIS SYSTEM SIZED BASED ON THE APPROVED SHOP DRAWINGS AND AS NEEDED TO INSTALL ACTUAL EQUIPMENT PROVIDED.
- BASE DETAIL IS TYPICAL FOR STANDARD SOIL BEARING. WHERE NON-STANDARD SOIL OCCURS, CONSULT CIVIL ENGINEER FOR BASE DESIGN PRIOR TO INSTALLATION.
- THE WIDTH OF THE RACK WILL VARY BASED ON SERVICE SIZES. THE CITY WOULD LIKE THIS TO BE AS SHORT AS POSSIBLE. PROVIDE CHANNEL ON BOTH SIDES SO THAT THE EQUIPMENT CAN BE MOUNTED ON THE FRONT AND ON THE BACK. ALL PANELS AND DEVICES SHALL BE A MINIMUM OF 18 INCHES ABOVE GRADE.
- CONCRETE SHALL BE ODOT CLASS A.
- ALL ELECTRICAL EQUIPMENT, DEVICES, CONDUIT AND WIRING SHOWN ON THE ELECTRICAL DRAWINGS IS NEW UNLESS CLEARLY CALLED OUT AS EXISTING. ALL EXISTING ELECTRICAL EQUIPMENT THAT IS CALLED OUT TO BE REUSED SHALL BE INSPECTED IN THE FIELD BY THE ELECTRICAL CONTRACTOR AND THE CONSTRUCTION MANAGER TO DETERMINE ITS CONDITION PRIOR TO STARTING ANY WORK. PROVIDE DOCUMENTATION TO OWNER INDICATING CONDITION OF THE EXISTING EQUIPMENT, AND REUSE EXISTING EQUIPMENT ONLY IF ALL PARTIES AGREE THE CONDITION IS ACCEPTABLE. ALL EXISTING EQUIPMENT DETERMINED BE UNUSABLE SHALL BE REPLACED WITH LIKE KIND AS DIRECTED BY THE OWNER. ANY OF THE OWNERS EQUIPMENT DETERMINED TO BE REUSED THAT IS DAMAGED BY ANY CONTRACTOR DURING SWITCHOVER SHALL BE REPLACED BY THAT CONTRACTOR. ALL EXISTING EQUIPMENT IS THE PROPERTY OF THE OWNER (NOT THE CONTRACTOR) AND SHALL BE TREATED ACCORDINGLY.
- ALL CABLES ARE TO BE CLEARLY MARKED WITH THE BRADY TYPE LABELS AND RECORD DRAWINGS SHALL INDICATE THE INDIVIDUAL MARKINGS.
- THE ELECTRICAL CONTRACTOR SHALL INCLUDE IN THEIR BIDS A TOWABLE 25 KW GENERATOR. REFER TO SPECIFICATION 263200 FOR ADDITIONAL INFORMATION AND REQUIREMENTS.
- INSTALL RIGID GALVANIZED CONDUIT FROM 18" BELOW GRADE TO 18" ABOVE GRADE AT ALL RISERS.
- THE TOWABLE GENERATOR PROVIDED UNDER THIS CONTRACT SHALL PROVIDE TEMPORARY POWER TO THE BEAVER PIKE, 4-MILE, OAK HILL BANK, AND FLORENCE AVENUE LIFT STATIONS. PROVIDE ONE (1) FEMALE PLUG TO MATCH THE RECEPTACLE AT THESE LIFT STATIONS. ATTACH PLUG TO GENERATOR CORD SUPPLIED BY THE GENERATOR SUPPLIER. REMAINING LIFT STATIONS WILL BE POWERED BY THE CITY'S EXISTING HONDA GENERATOR. MATCH RECEPTACLES AT THESE STATIONS TO THE FEMALE PLUG ON THE HONDA GENERATOR.



OUTDOOR SERVICE MOUNTING DETAIL
N.T.S.



NO	REVISION	DATE

JACKSON, OHIO
LIFT STATIONS RENOVATION
ELECTRICAL ONE-LINES, DETAILS AND SCHEDULES

PROJECT NO:	180497
DRAWING NAME:	E-01
SHEET:	OF
5	5